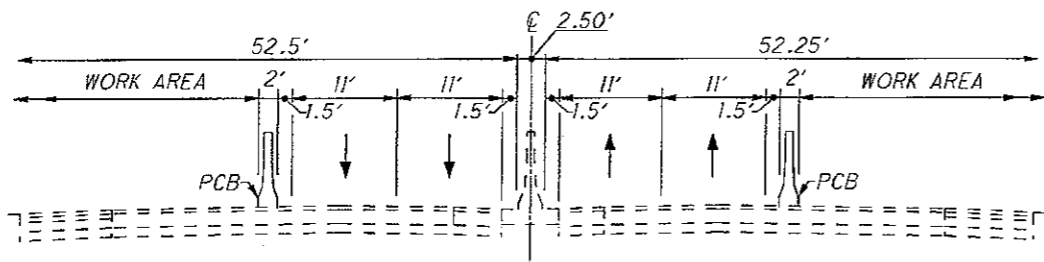
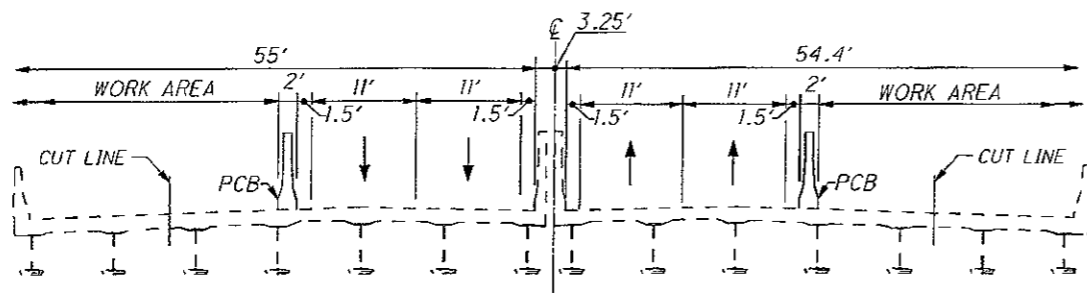


SECTION 6-6
STA. 247+50

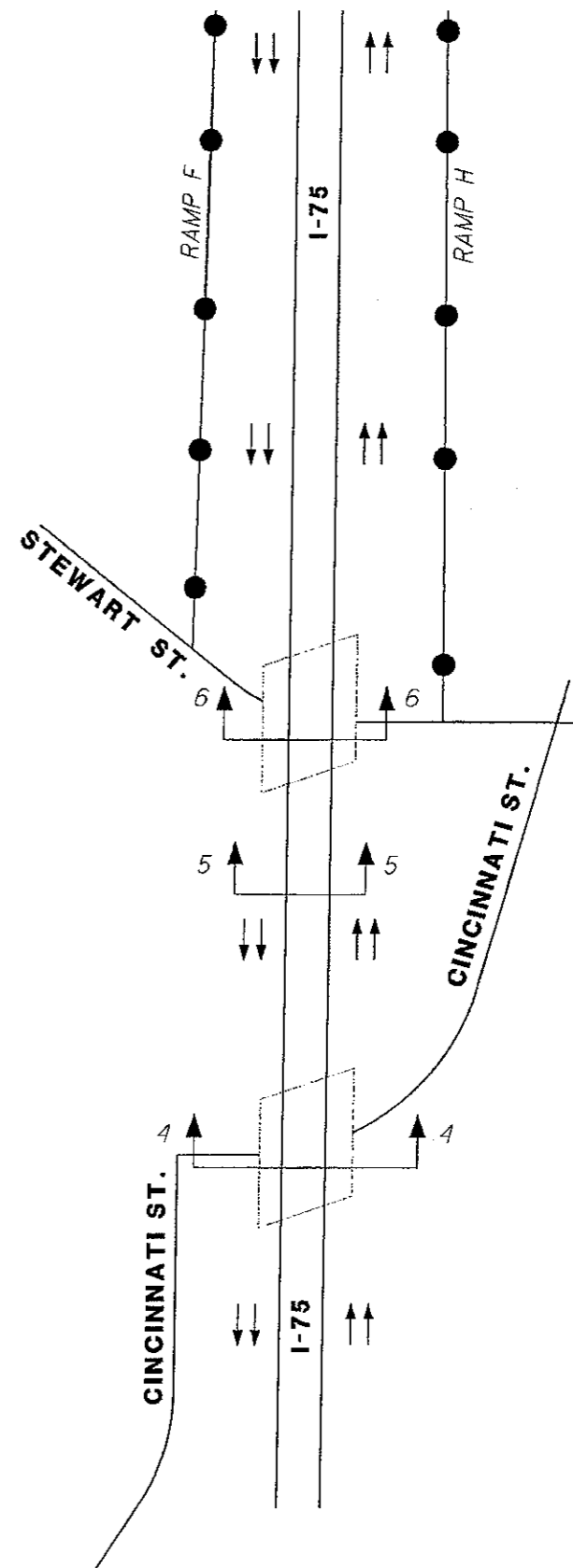


SECTION 5-5
STA. 243+50



SECTION 4-4
STA. 240+00

DRAFT



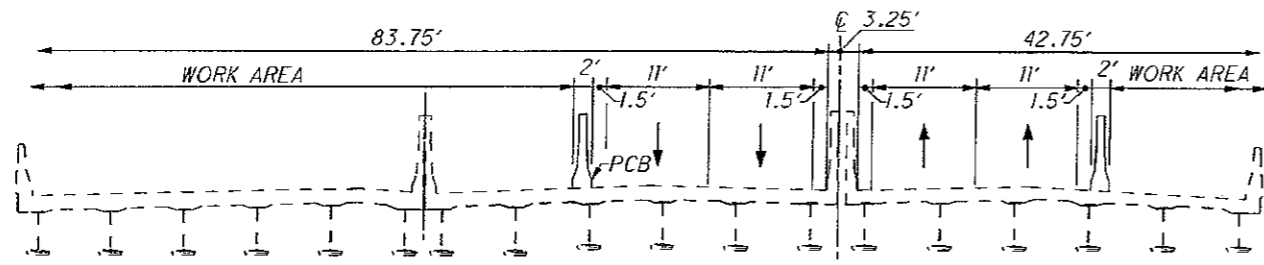
LEGEND

● RAMPs TEMPORARILY CLOSED DURING PHASE 1

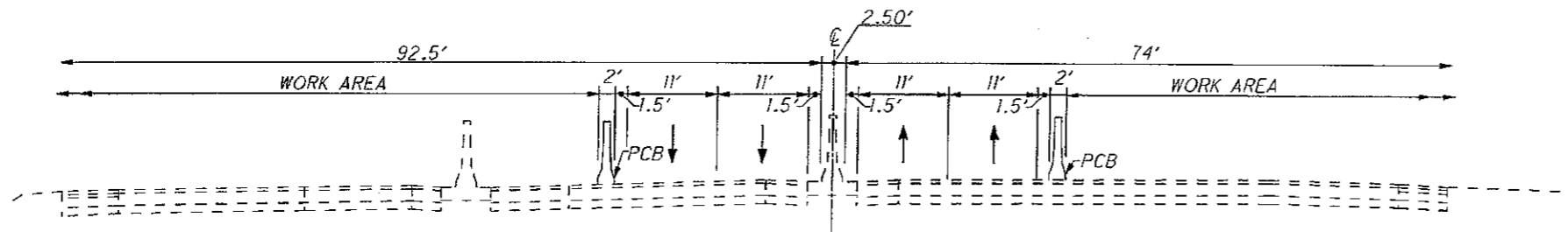
CALCULATED	AVP	CHECKED	JUG
------------	-----	---------	-----

I-75 MAINTENANCE OF TRAFFIC -
PART WIDTH - PHASE 1 TYPICAL SECTIONS

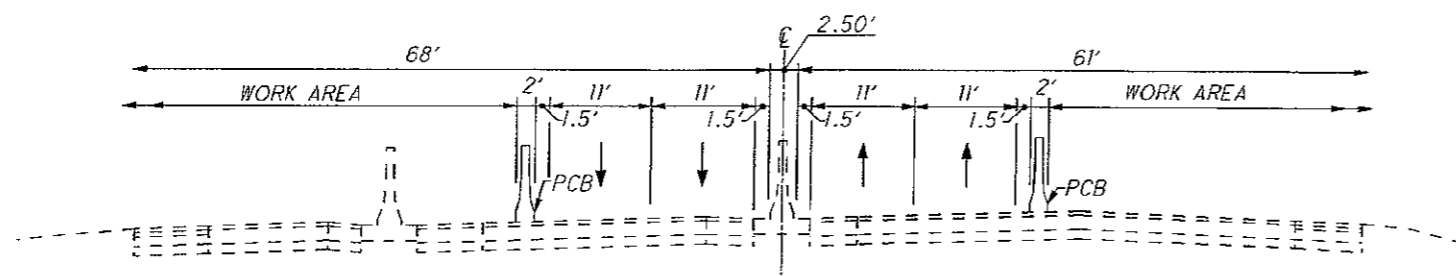
MOT-75-11.00



SECTION 12-12
STA. 262+00

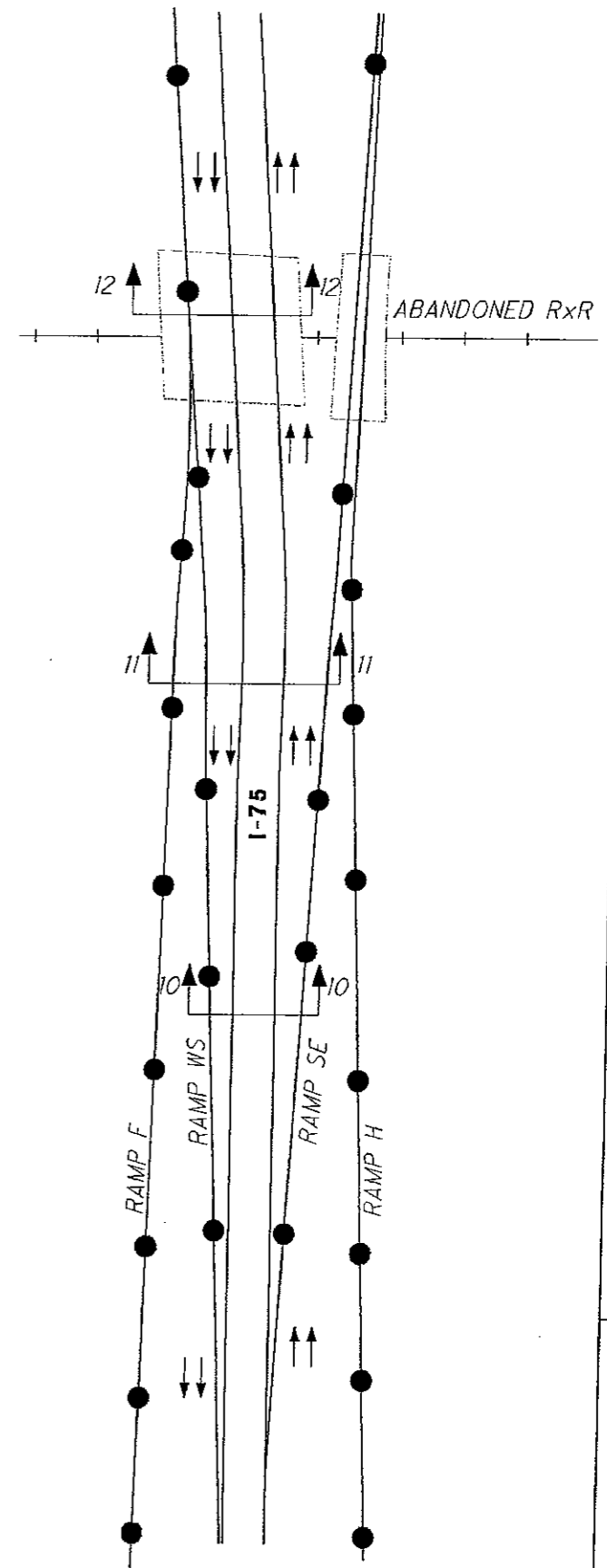


SECTION 11-11
STA. 259+00



SECTION 10-10
STA. 257+00

DRAFT



LEGEND

- RAMP TEMPORARILY CLOSED DURING PHASE 1

#USER
\$DATE\$
\$FILE\$

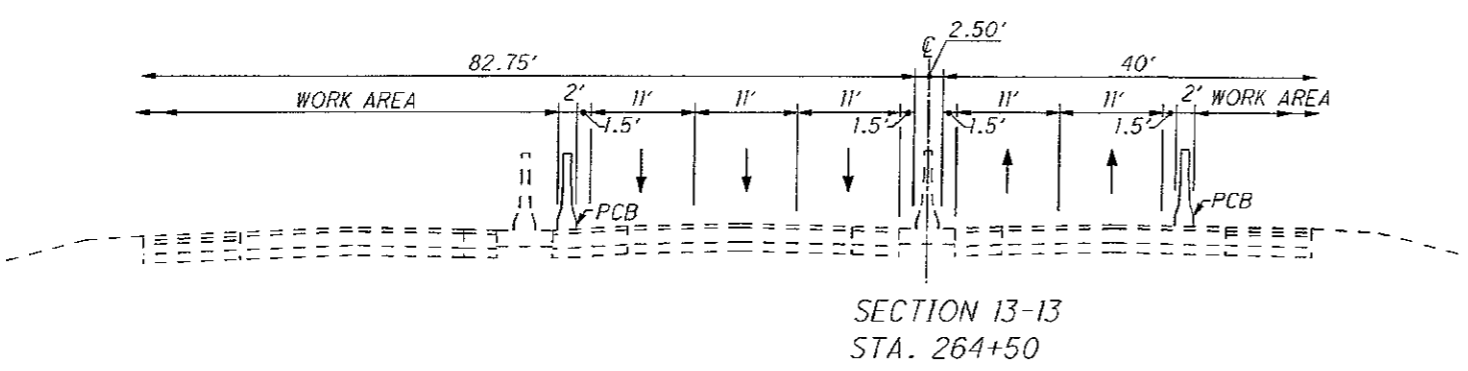
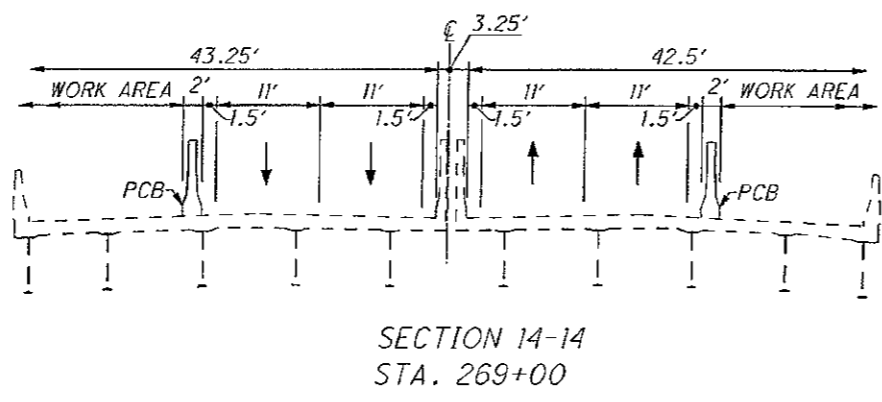
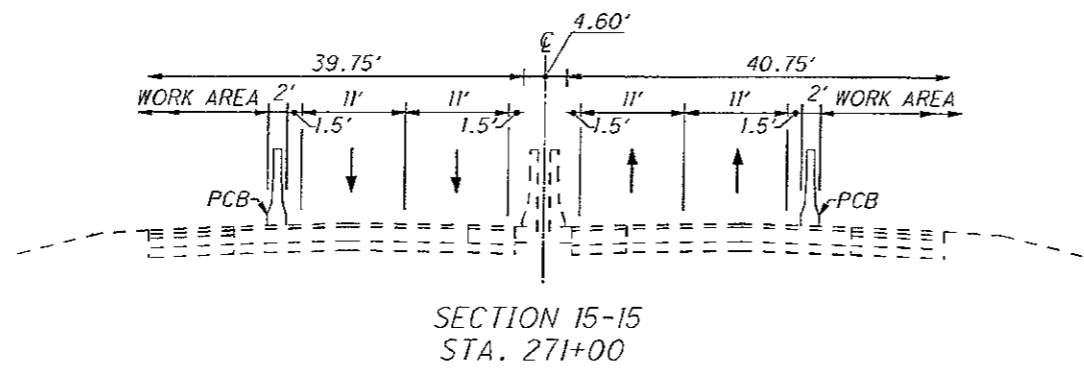
NOTE: BEAM SPACING NOT TO SCALE

GENERATED
AVP
CHECKED
JJG

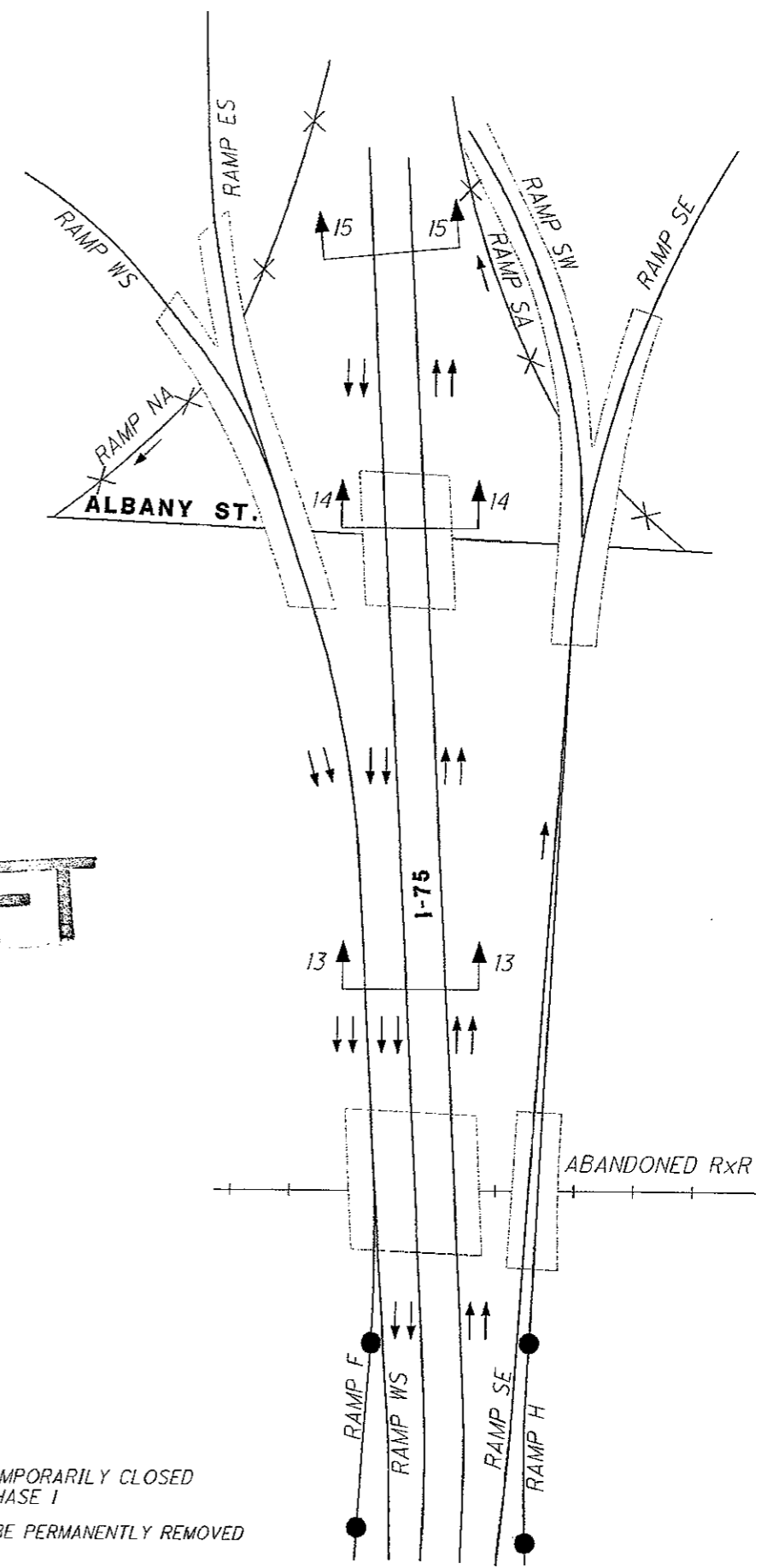
I-75 MAINTENANCE OF TRAFFIC -
PART WIDTH - PHASE 1 TYPICAL SECTIONS

MOT-75-11.00

4
10



DRAFT



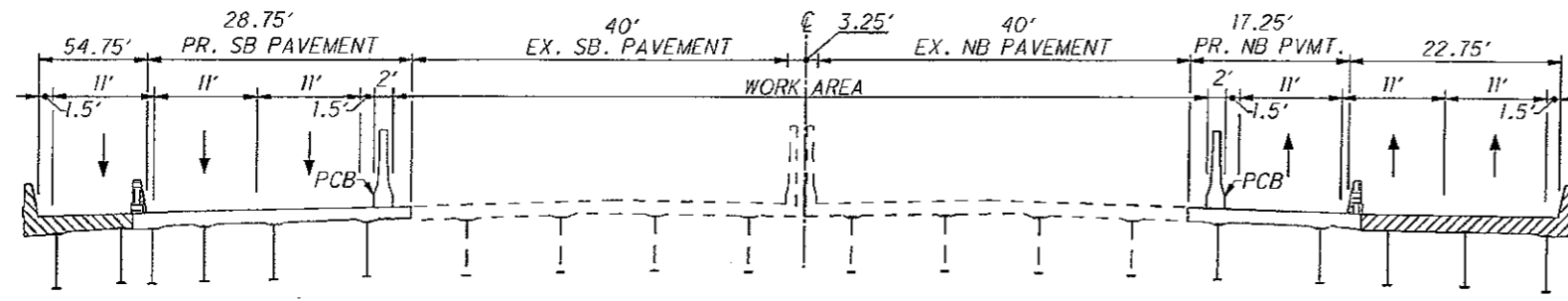
- LEGEND**
- RAMP'S TEMPORARILY CLOSED DURING PHASE I
 - ✕ RAMP TO BE PERMANENTLY REMOVED

**I-75 MAINTENANCE OF TRAFFIC -
PART WIDTH - PHASE 1 TYPICAL SECTIONS**

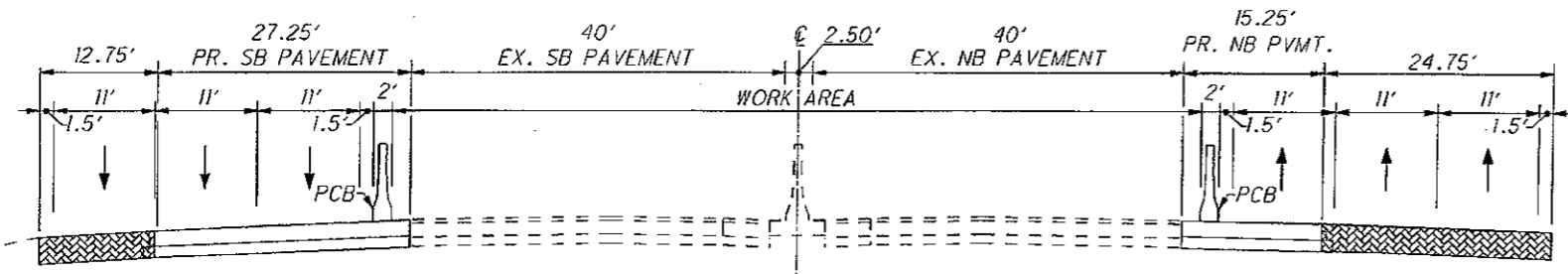
MOT-75-11.00

USER: *TIMESTAMP*
SDATES: *FILEAS*

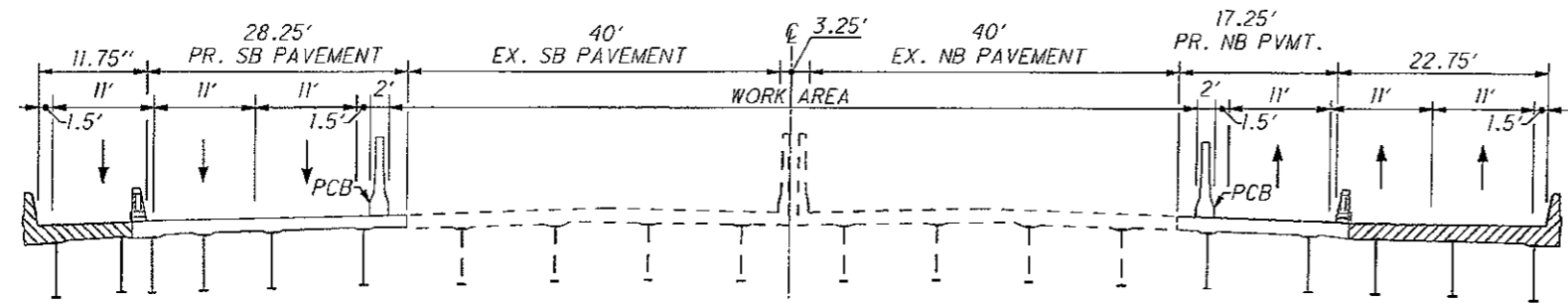
NOTE: BEAM SPACING NOT TO SCALE



SECTION 6-6
STA. 247+50



SECTION 5-5
STA. 243+50

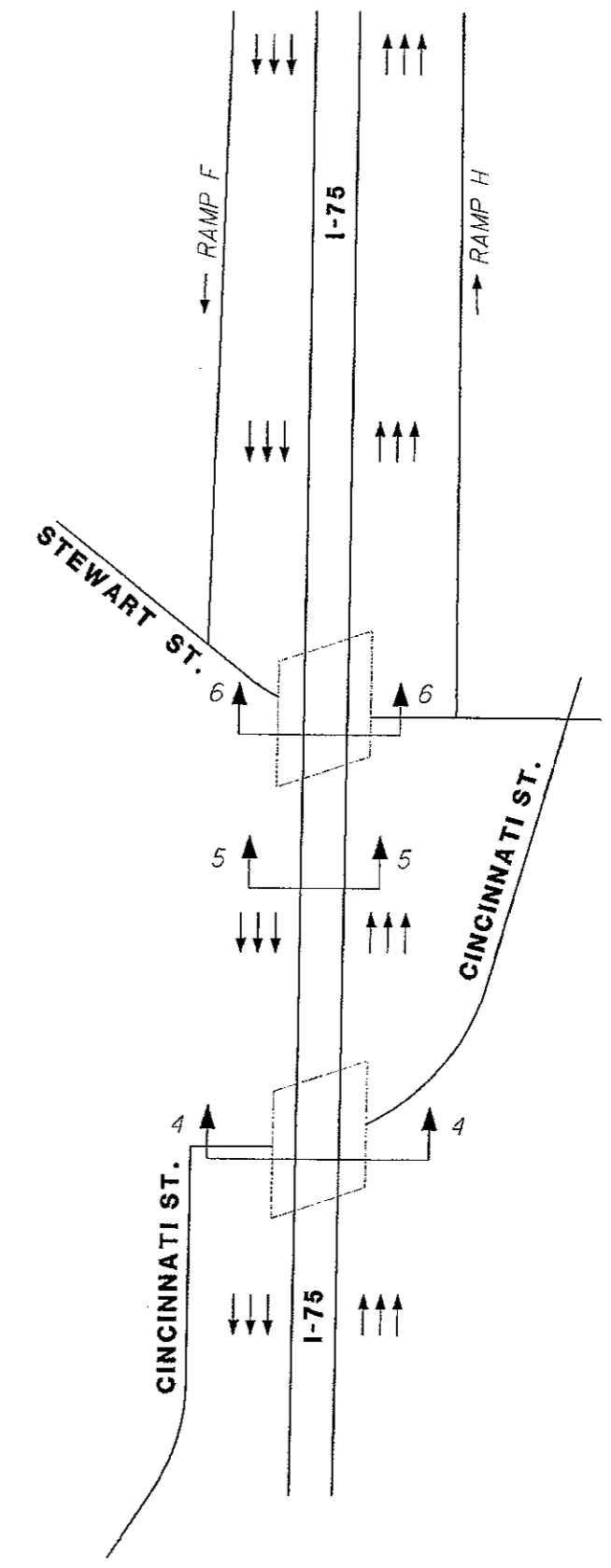


SECTION 4-4
STA. 240+00

DRAFT

LEGEND

- FUTURE BARRIER
- TEMPORARY DECK
- TEMPORARY PAVEMENT

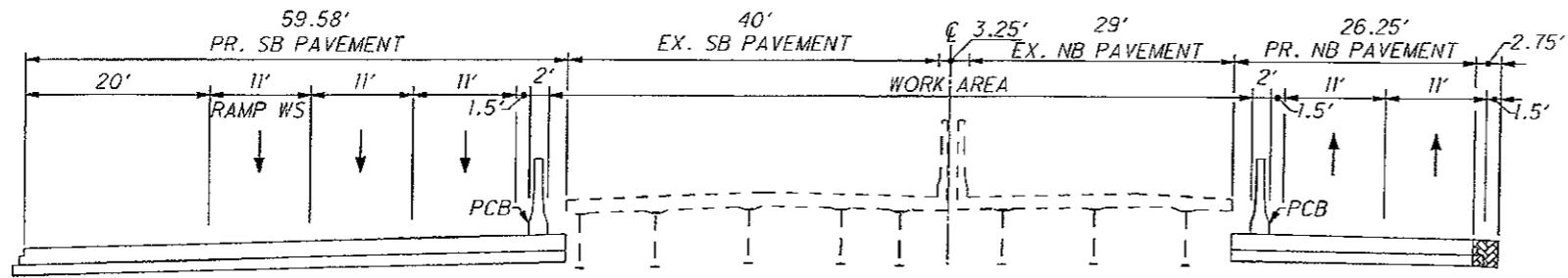


I-75 MAINTENANCE OF TRAFFIC -
PART WIDTH - PHASE 2 TYPICAL SECTIONS

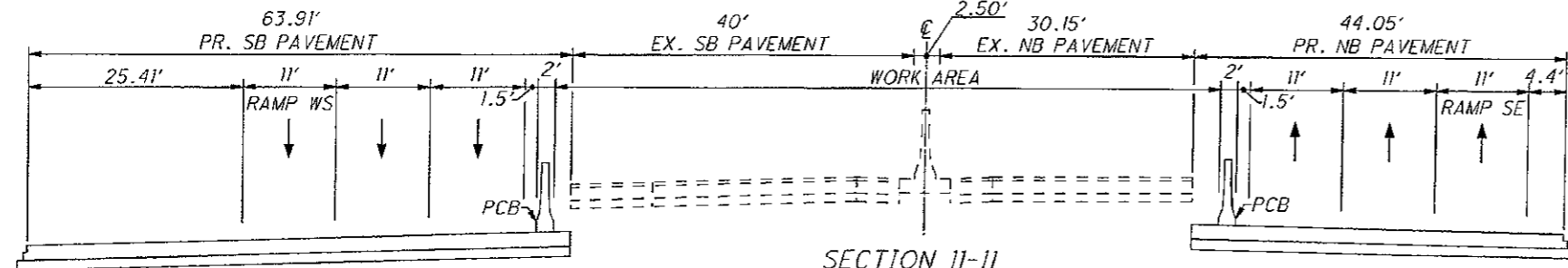
MOT-75-11.00

USER
DATE
FILES
\$TIMESTAMP\$

NOTE: BEAM SPACING NOT TO SCALE

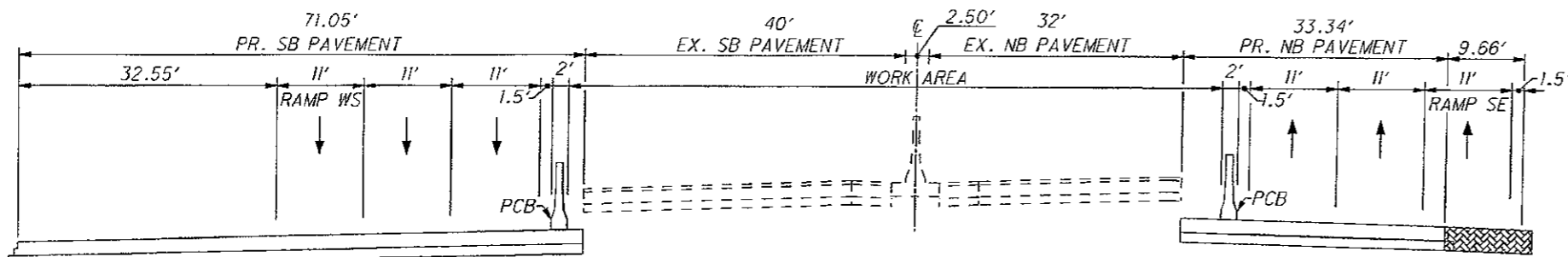


SECTION 12-12
STA. 262+00



SECTION 11-11
STA. 259+00

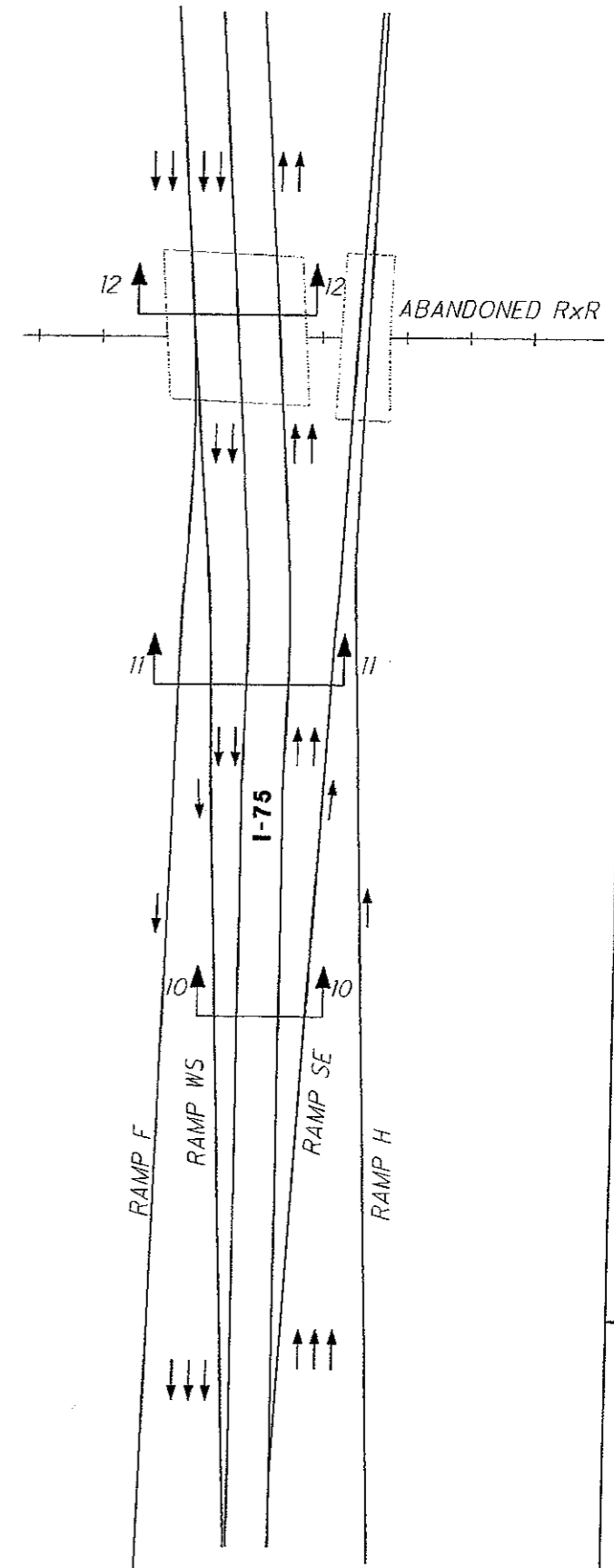
DRAFT



SECTION 10-10
STA. 257+00

LEGEND

 TEMPORARY PAVEMENT

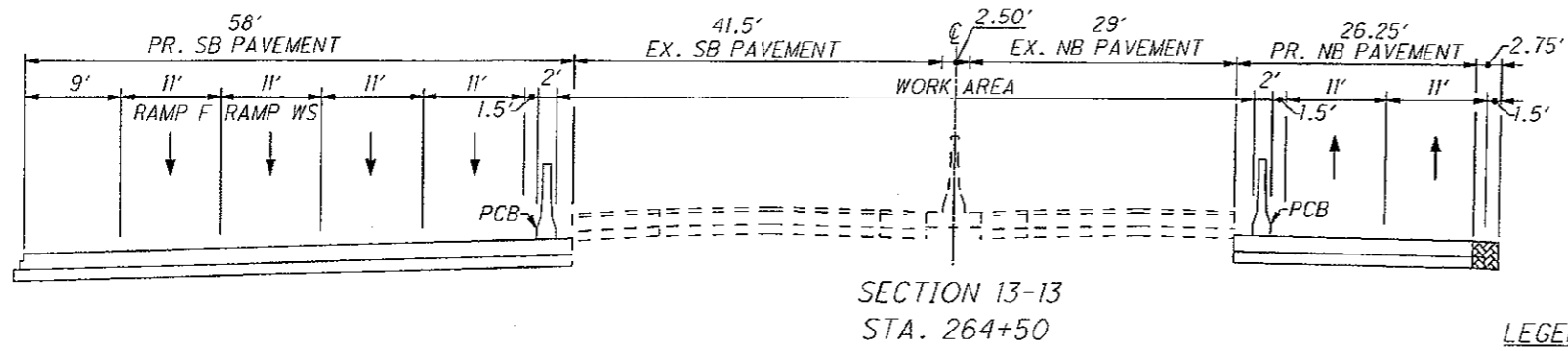
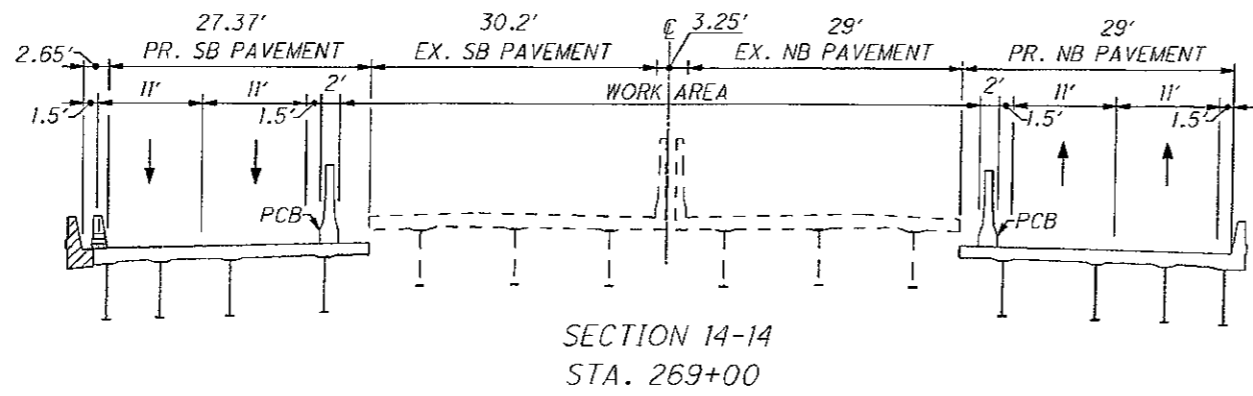
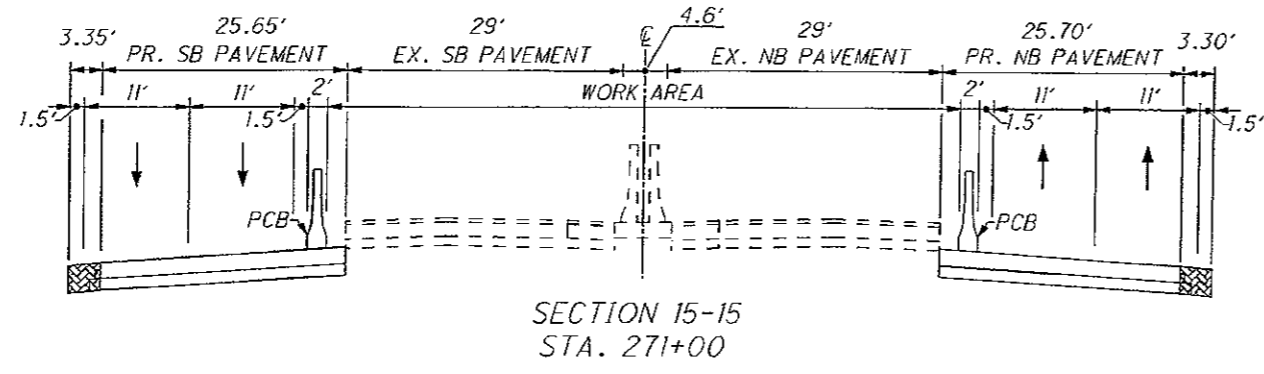


I-75 MAINTENANCE OF TRAFFIC -
PART WIDTH - PHASE 2 TYPICAL SECTIONS

MOT-75-11.00

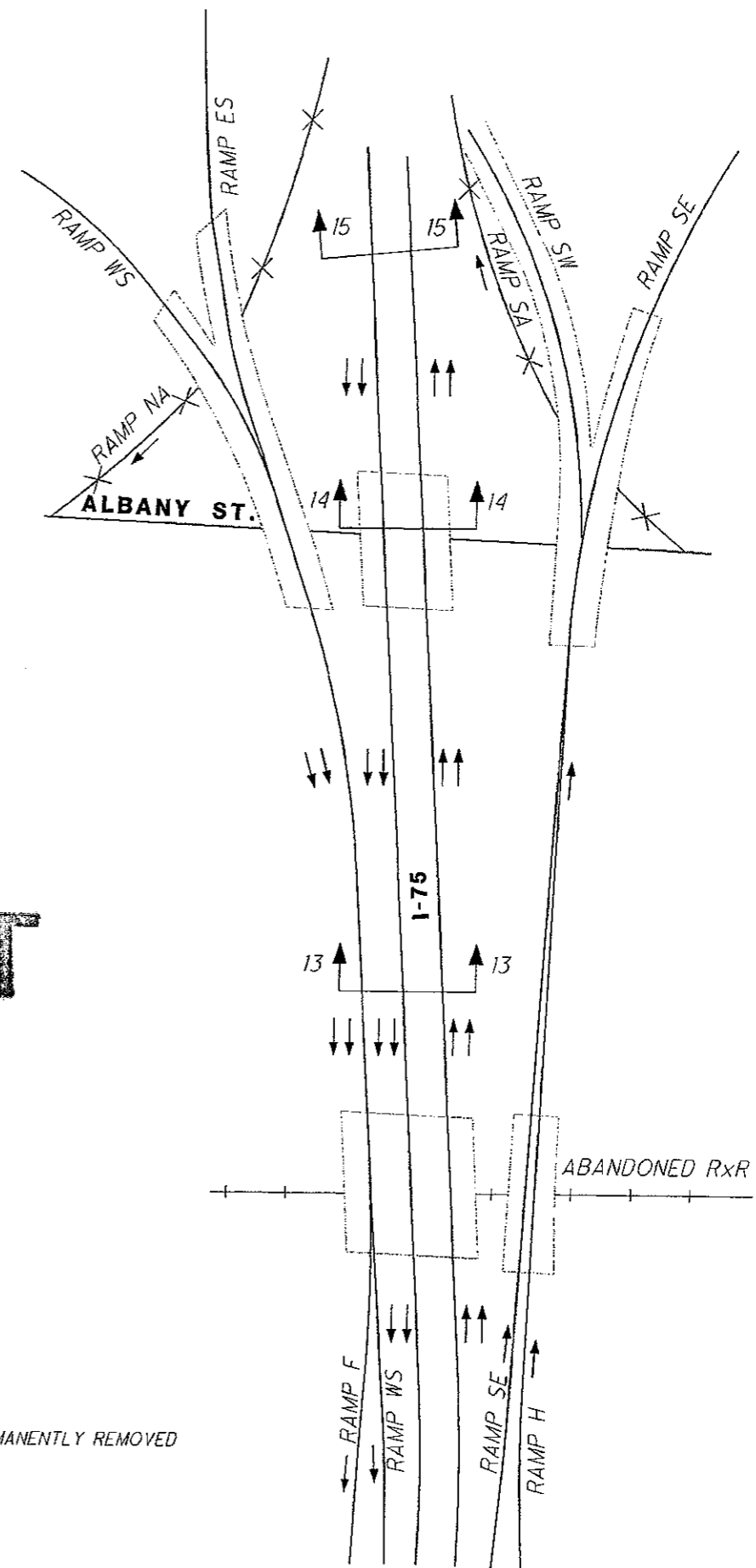
SUNSH SHIELD SPREADS

NOTE: BEAM SPACING NOT TO SCALE



DRAFT

- LEGEND**
- ✕ RAMP TO BE PERMANENTLY REMOVED
 - [Pattern] FUTURE BARRIER
 - [Pattern] TEMPORARY DECK
 - [Pattern] TEMPORARY PAVEMENT

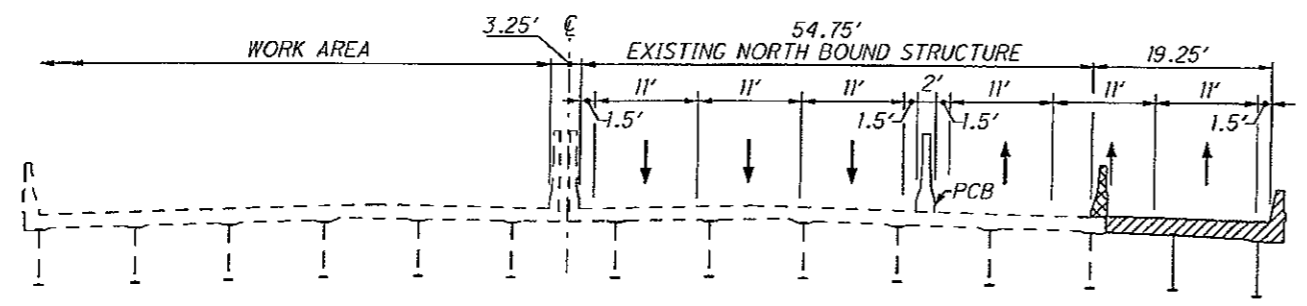


**I-75 MAINTENANCE OF TRAFFIC -
PART WIDTH - PHASE 2 TYPICAL SECTIONS**

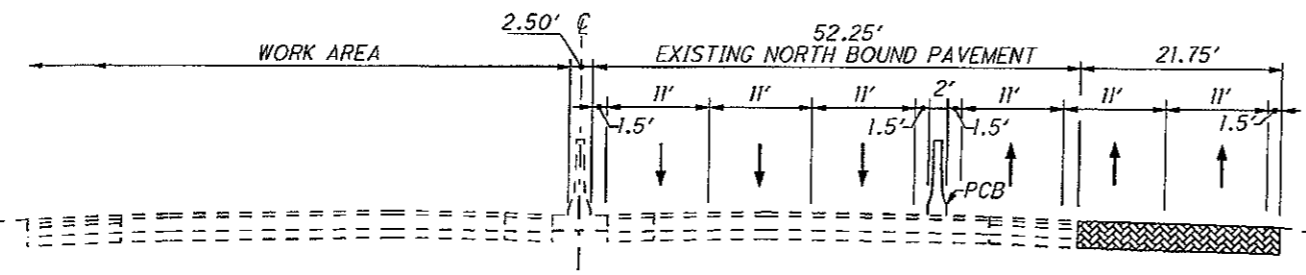
MOT-75-11.00

4 TIME STAMPS
 9
 8
 7
 6
 5
 4
 3
 2
 1

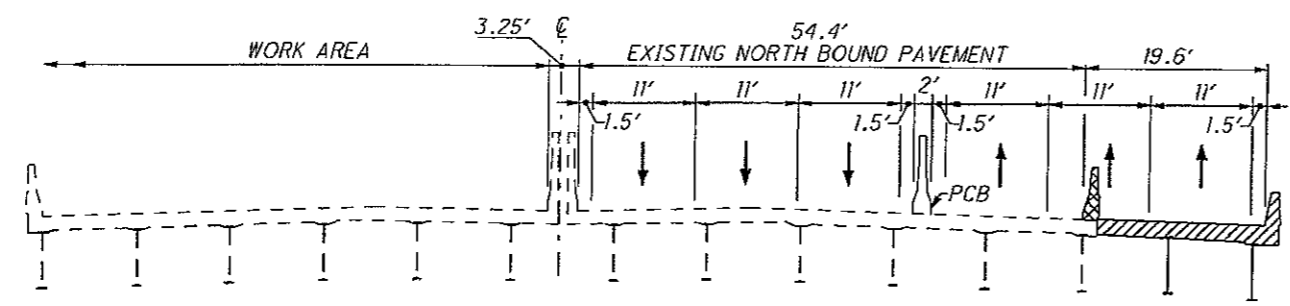
NOTE: BEAM SPACING NOT TO SCALE



SECTION 6-6
STA. 247+50

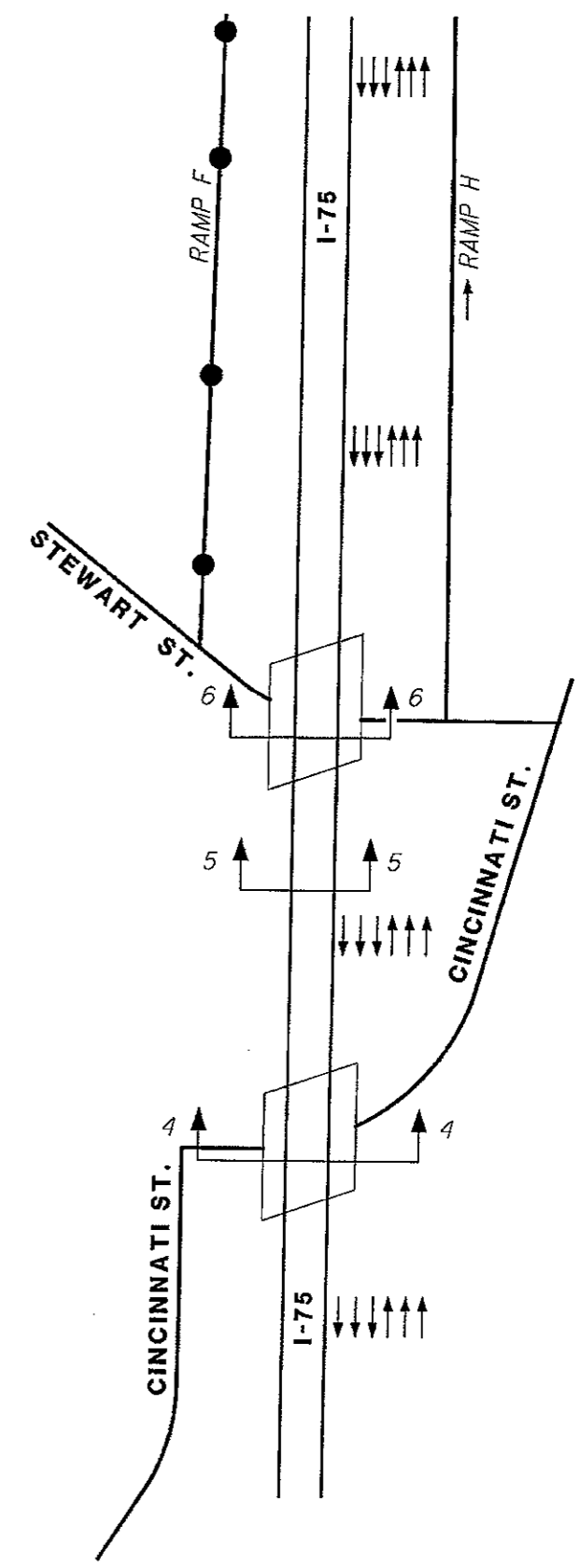


SECTION 5-5
STA. 243+50



SECTION 4-4
STA. 240+00

DRAFT



LEGEND

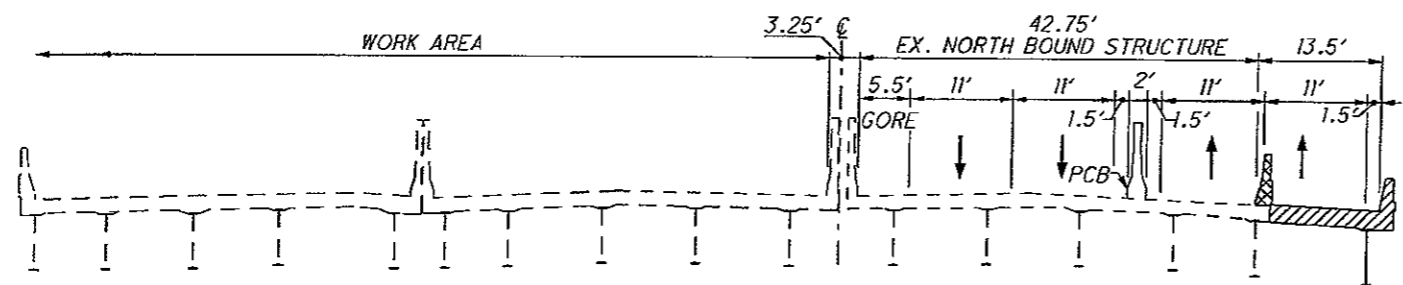
- TEMPORARY PAVEMENT
- REMOVAL
- TEMPORARY DECK
- RAMPS TEMPORARILY CLOSED DURING PHASE 1

NOTE: BEAM SPACING NOT TO SCALE

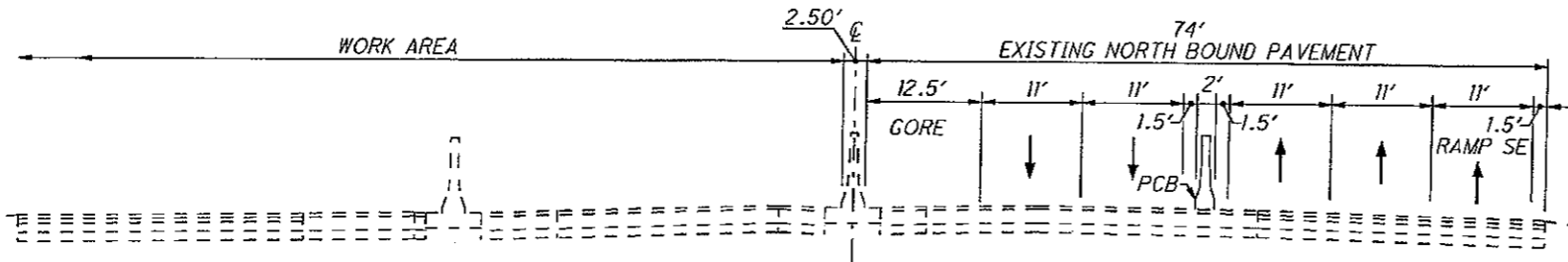
USER
DATE
SCALE

I-75 MAINTENANCE OF TRAFFIC -
CROSS OVER - PHASE 1 TYPICAL SECTIONS

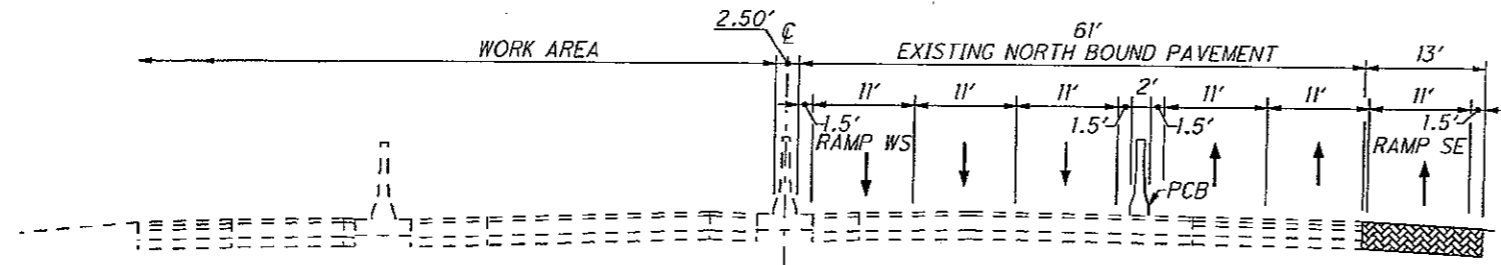
MOT-75-11.00



SECTION 12-12
STA. 262+50







SECTION 11-11
STA. 259+00

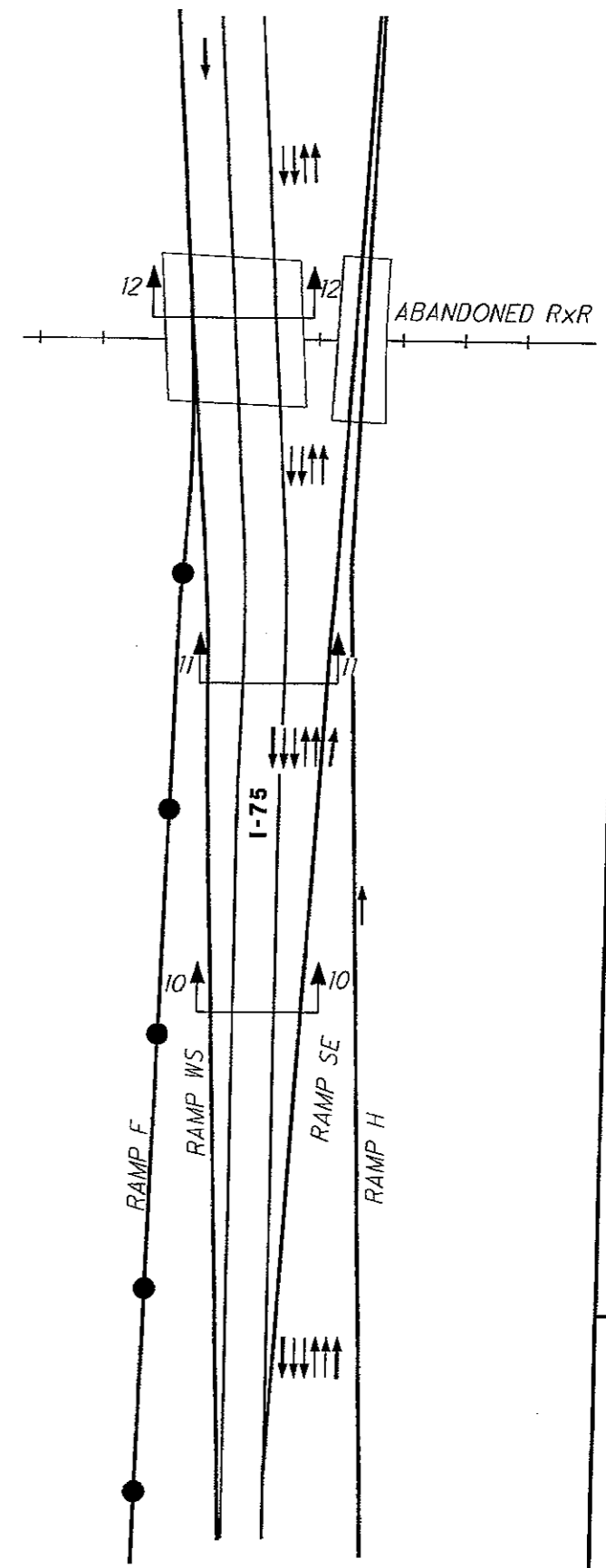


SECTION 10-10
STA. 257+00

DRAFT

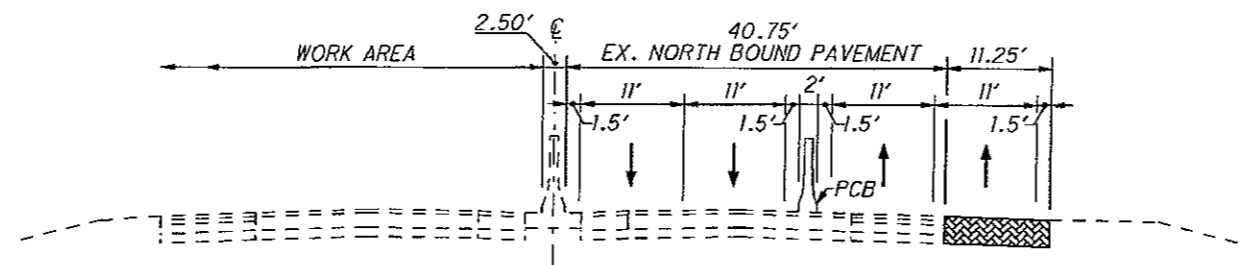
LEGEND

-  TEMPORARY PAVEMENT
-  TEMPORARY DECK
-  REMOVAL
-  RAMPS TEMPORARILY CLOSED DURING PHASE 1

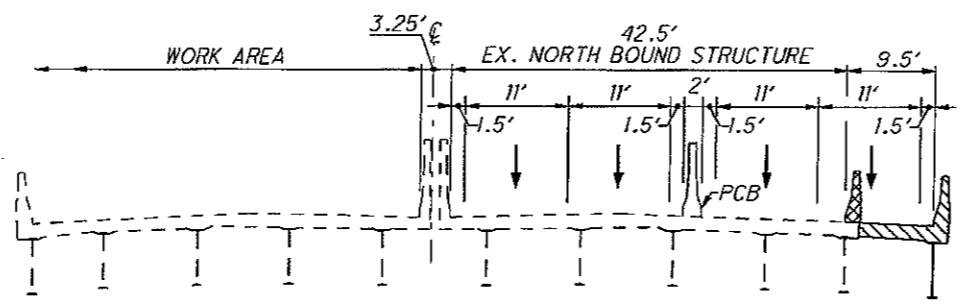


SUPER
 DATES
 FILES
 STAMP

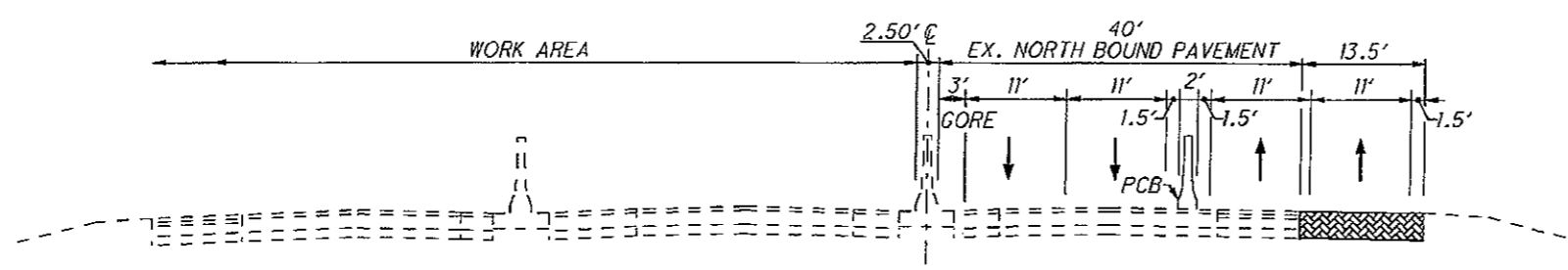
NOTE: BEAM SPACING NOT TO SCALE



SECTION 15-15
STA. 271+00








SECTION 14-14
STA. 269+00

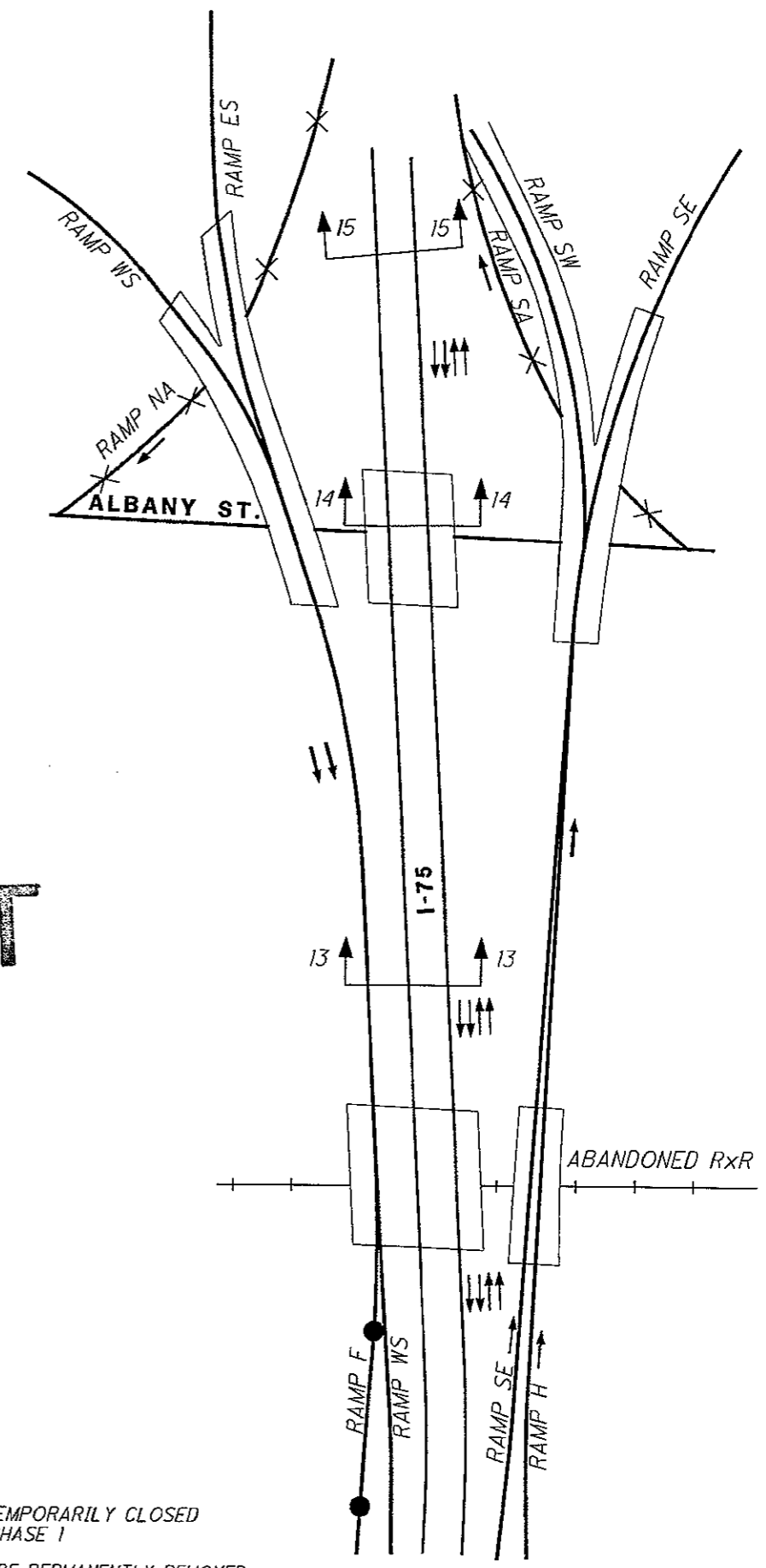


SECTION 13-13
STA. 264+50

DRAFT

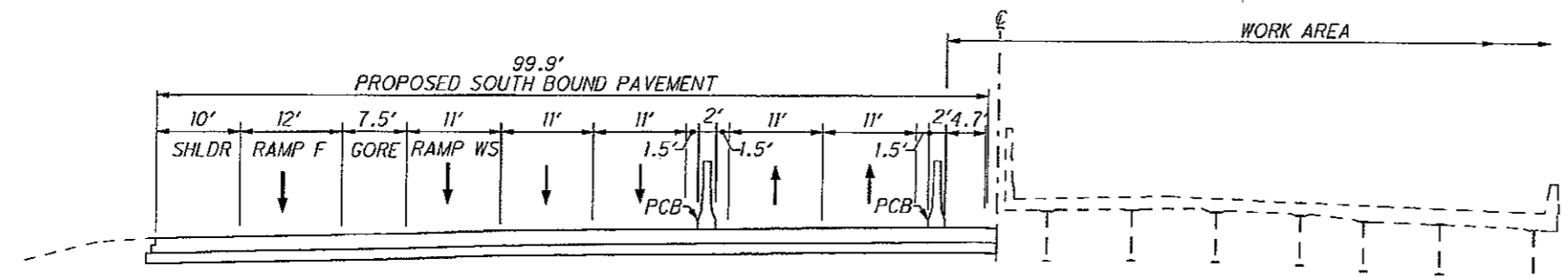
LEGEND

-  TEMPORARY PAVEMENT
-  TEMPORARY DECK
-  REMOVAL
-  RAMPS TEMPORARILY CLOSED DURING PHASE 1
-  RAMP TO BE PERMANENTLY REMOVED

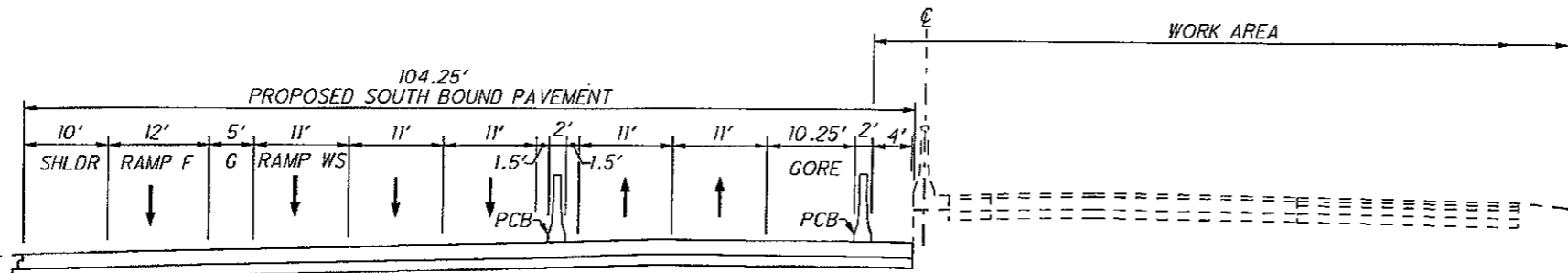


USER
 # DATES
 # FILE#
 # TIME#STAMP#

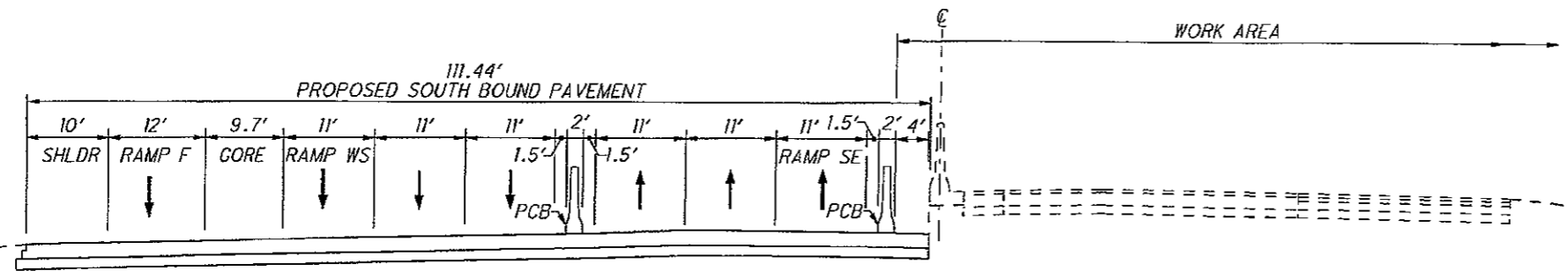
NOTE: BEAM SPACING NOT TO SCALE



SECTION 12-12
STA. 262.50

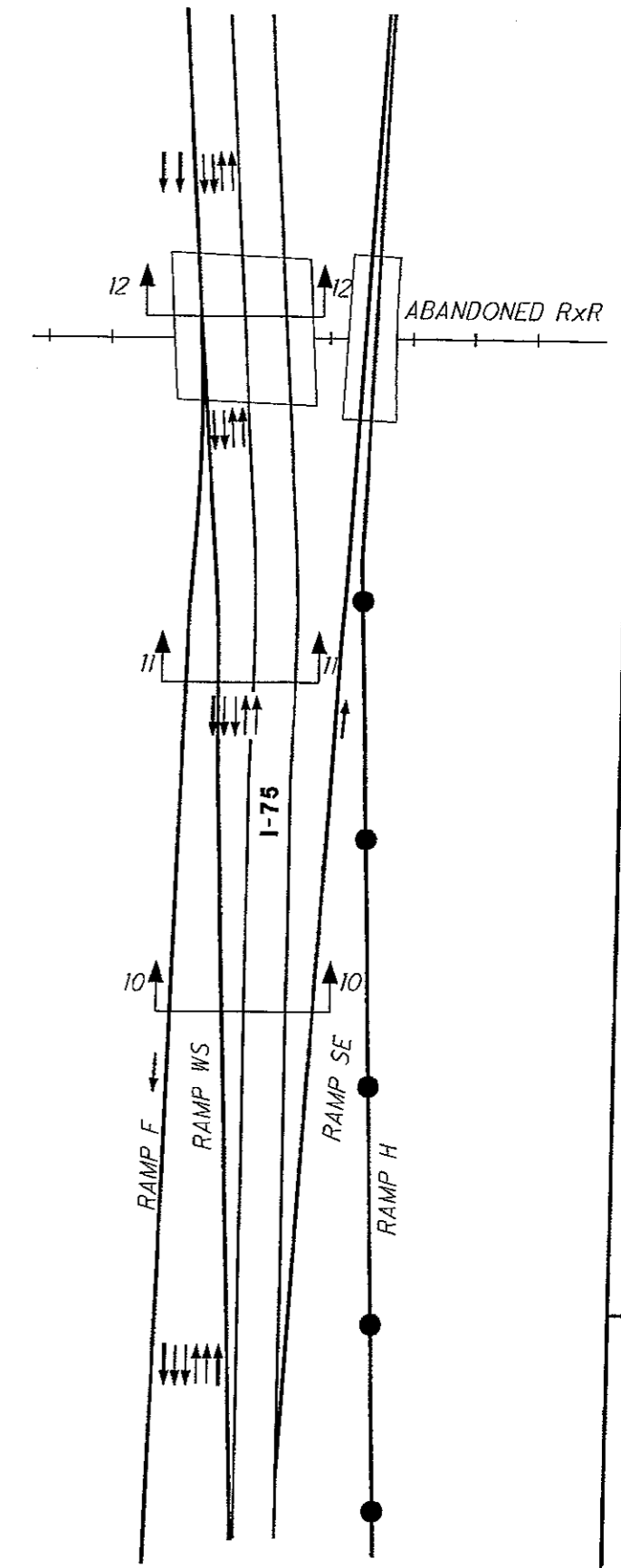


SECTION 11-11
STA. 259+00



SECTION 10-10
STA. 257+00

DRAFT

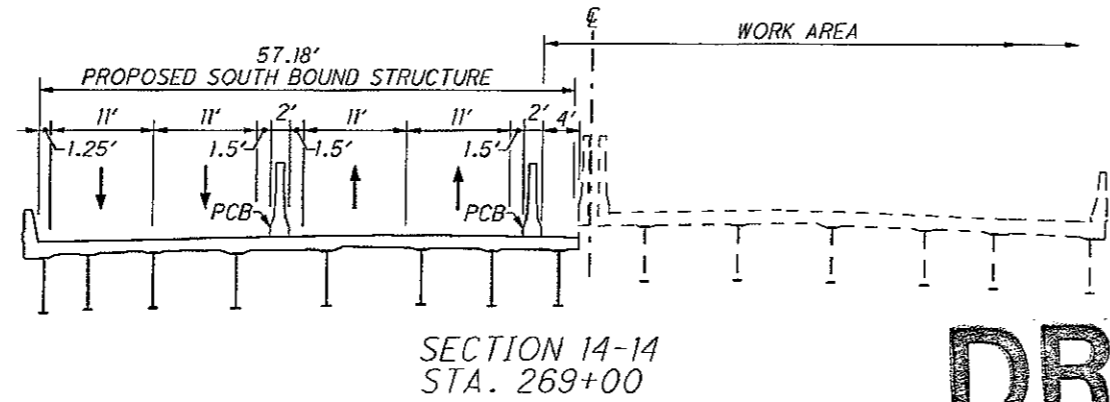
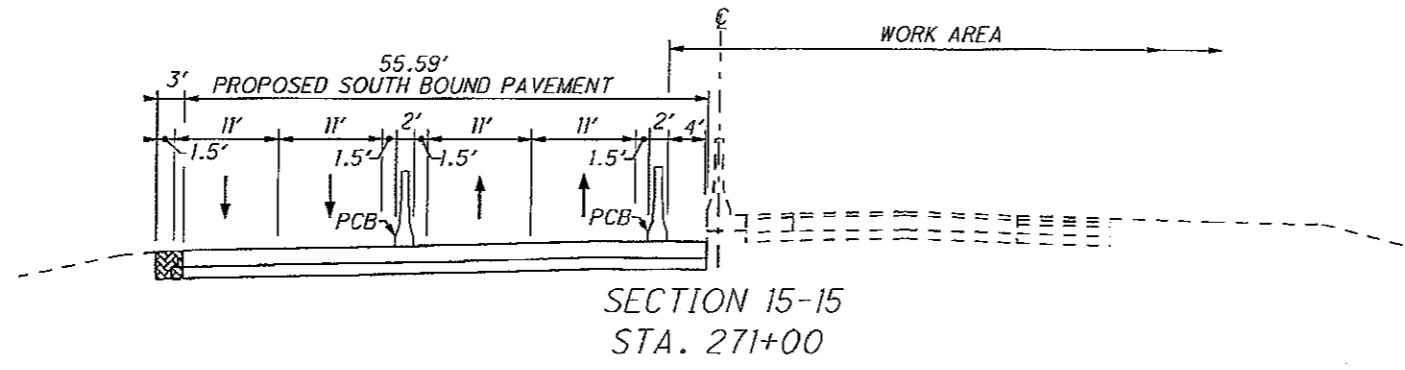


LEGEND

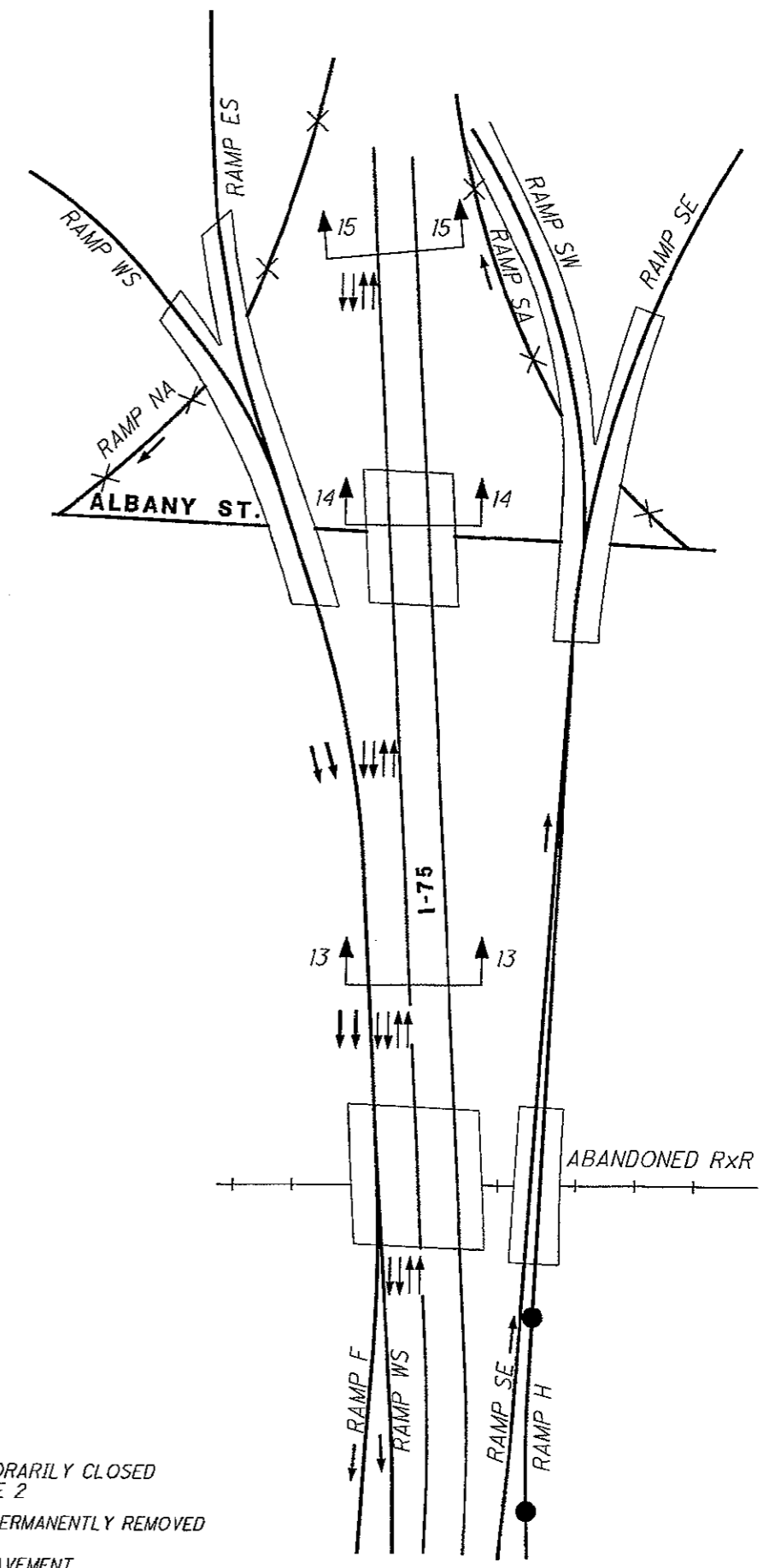
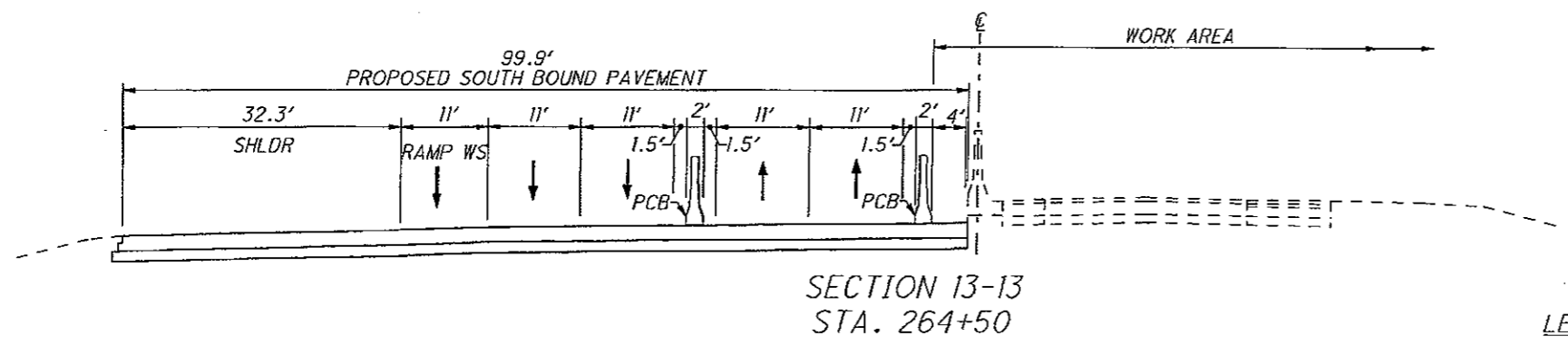
● RAMPS TEMPORARILY CLOSED DURING PHASE 2

NOTE: BEAM SPACING NOT TO SCALE

USER: []
 DATE: []
 SHEET: []



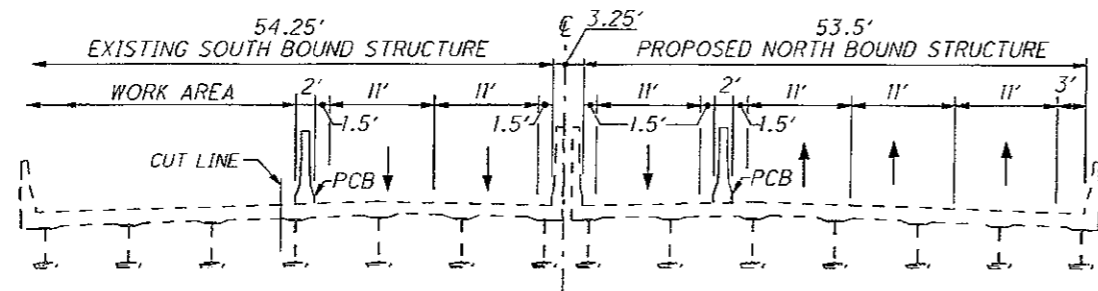
DRAFT



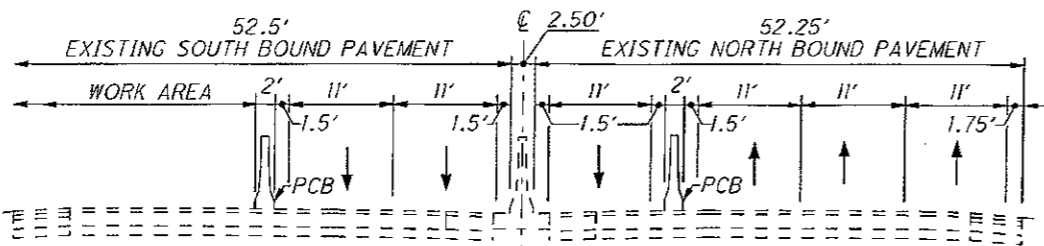
- LEGEND**
- RAMPS TEMPORARILY CLOSED DURING PHASE 2
 - ✕ RAMP TO BE PERMANENTLY REMOVED
 - ▨ TEMPORARY PAVEMENT

NOTE: BEAM SPACING NOT TO SCALE

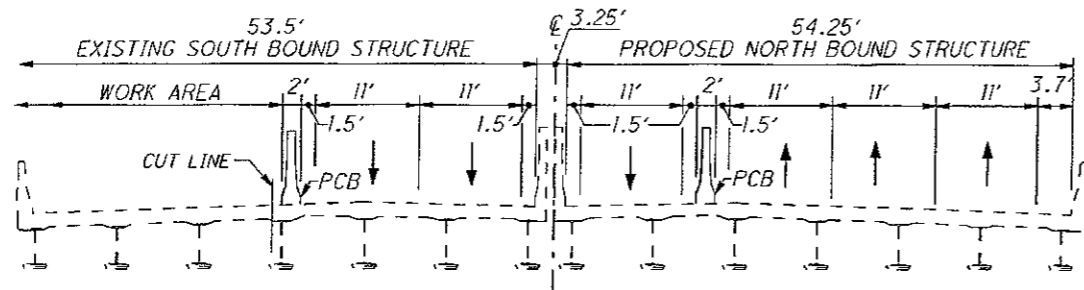
SUBER
SPATES
SPILLERS
STAMPERS



SECTION 6-6
STA. 247+50



SECTION 5-5
STA. 243+50

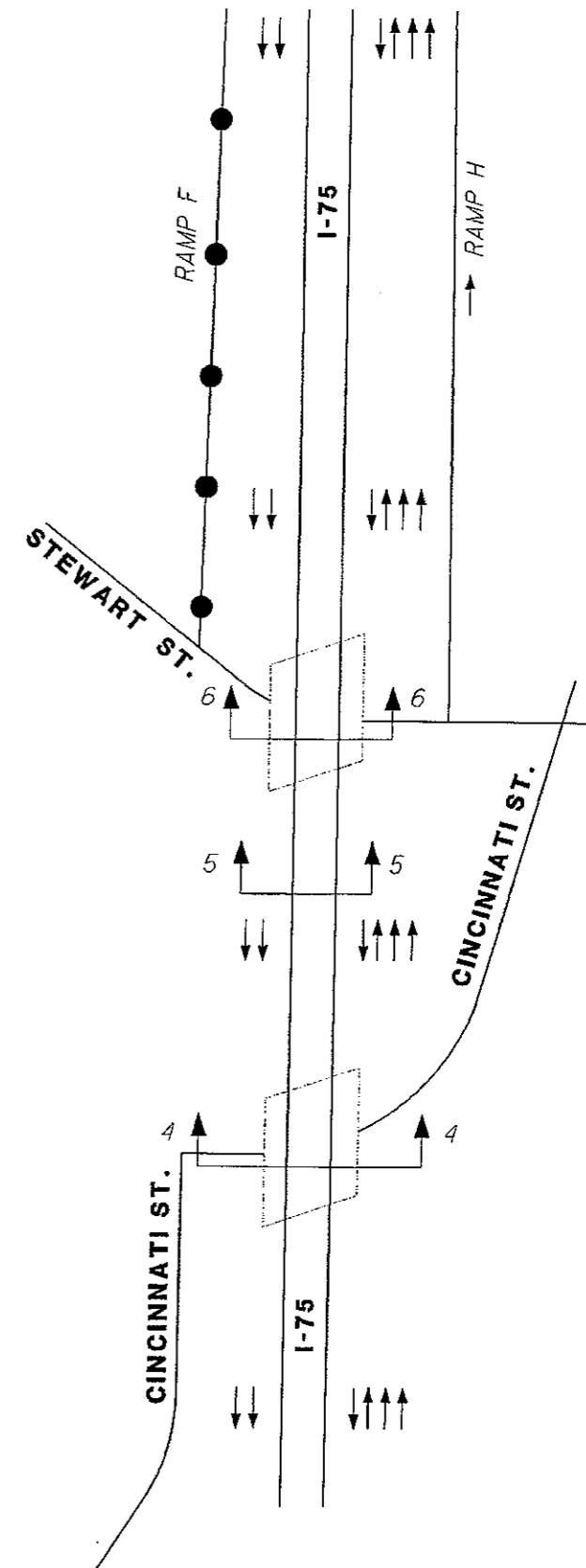


SECTION 4-4
STA. 240+00

DRAFT

LEGEND

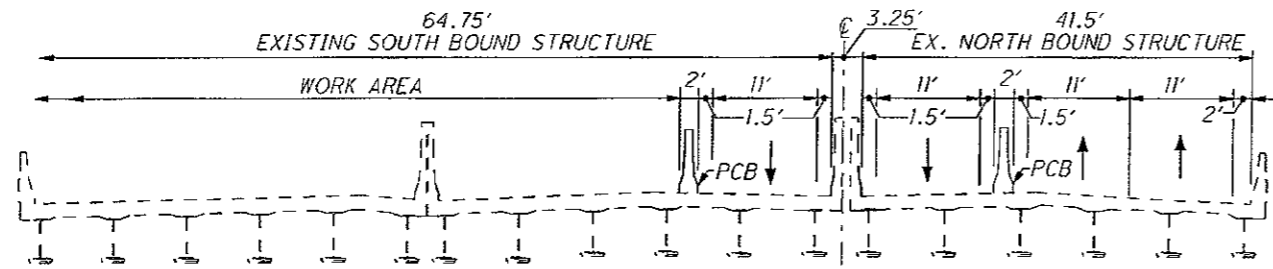
● RAMP'S TEMPORARILY CLOSED DURING PHASE 1



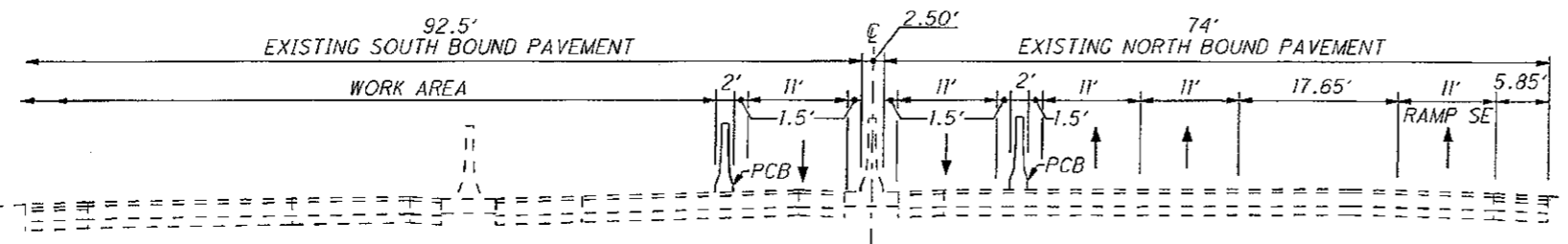
CALCULATED	AVP	CHECKED	JUG
------------	-----	---------	-----

I-75 MAINTENANCE OF TRAFFIC - CONTRA-FLOW PHASE 1

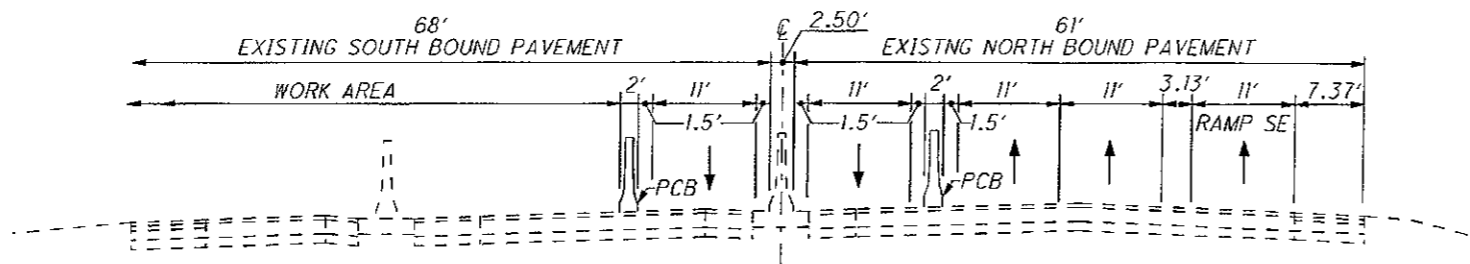
MOT-75-11.00



SECTION 12-12
STA. 262+50



SECTION 11-11
STA. 259+00

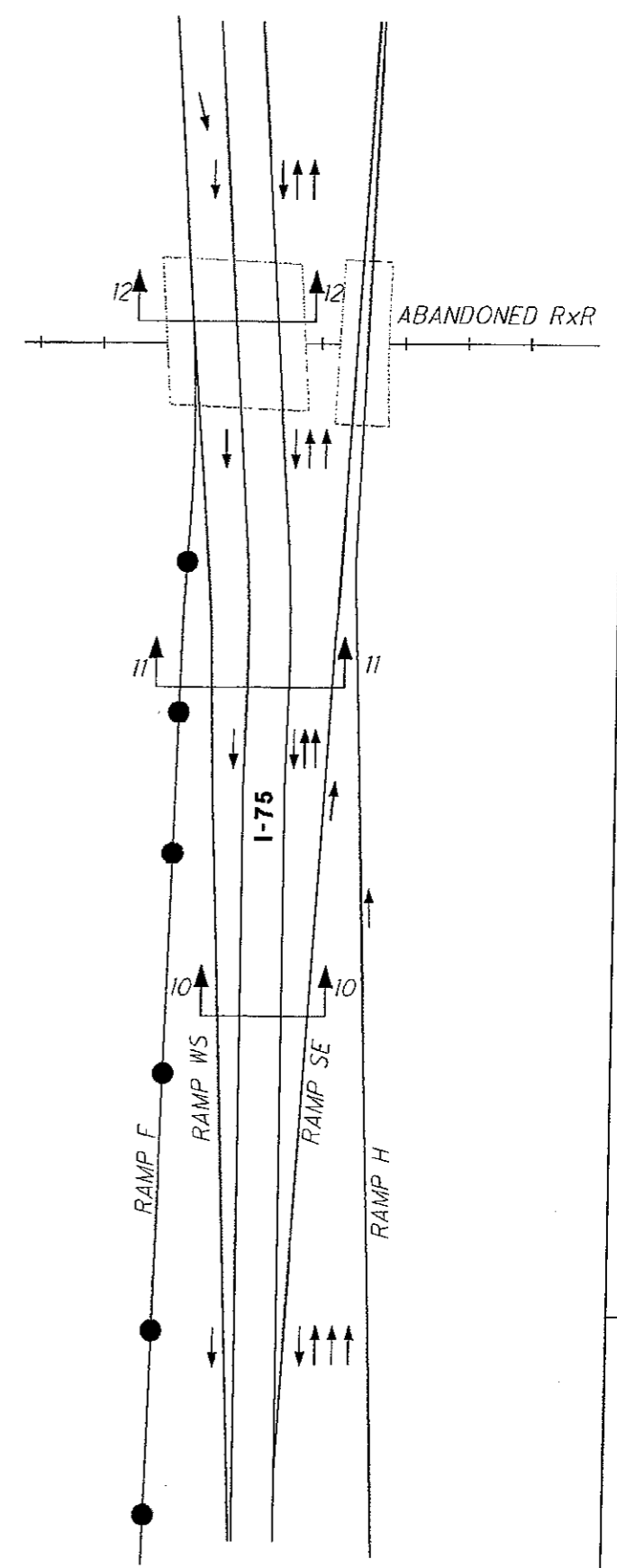


SECTION 10-10
STA. 257+00

DRAFT

LEGEND

● RAMP TEMPORARILY CLOSED DURING PHASE 1

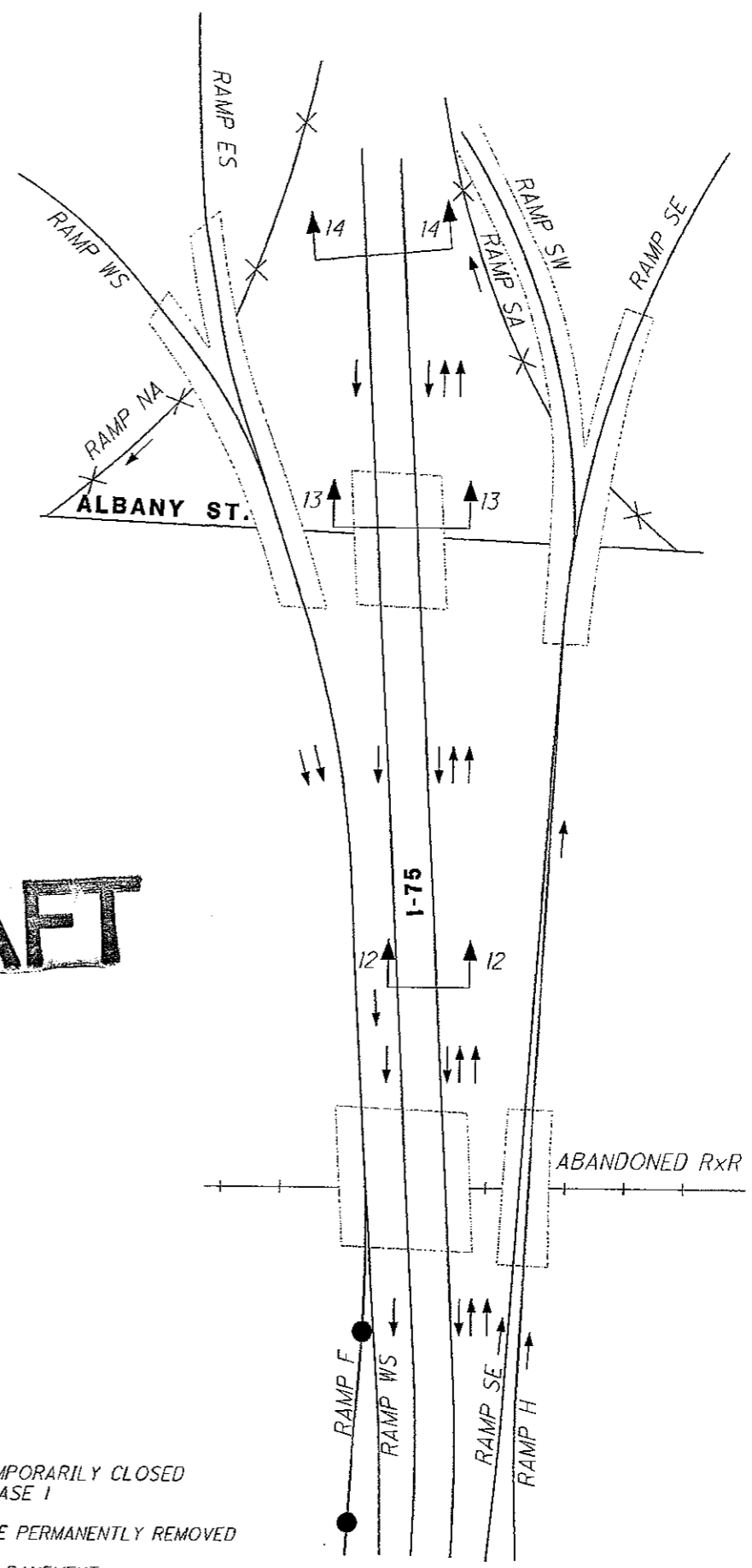
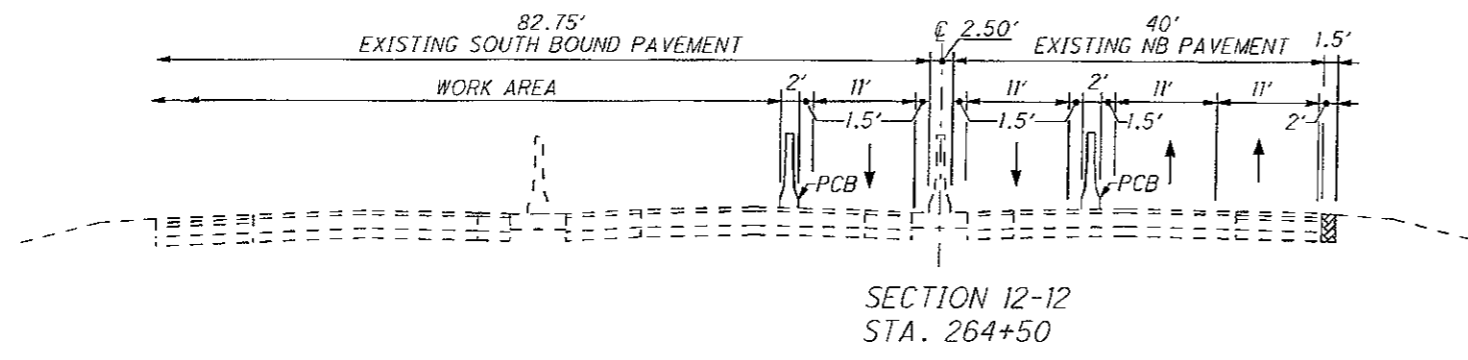
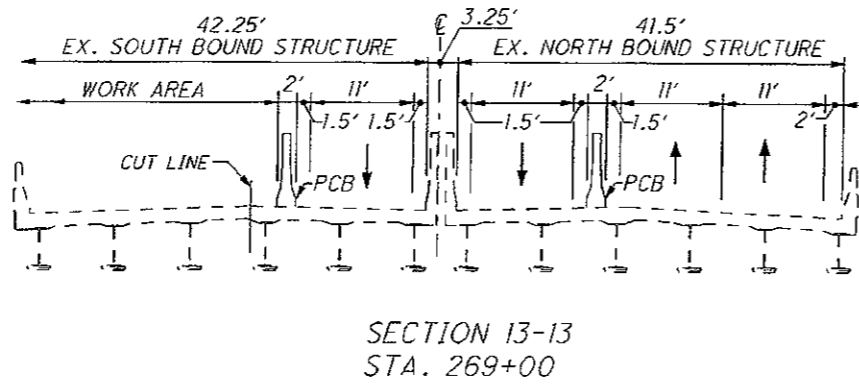
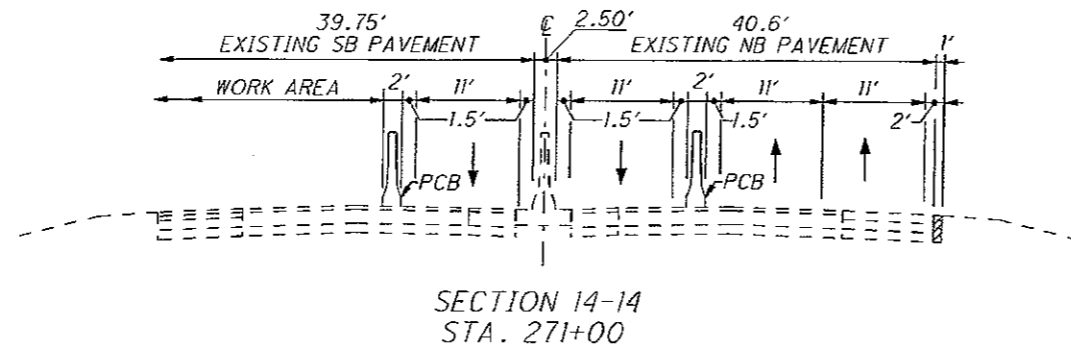


CALCULATED	AVP
CHECKED	JUG

I-75 MAINTENANCE OF TRAFFIC - CONTRA-FLOW PHASE 1

MOT-75-11.00

USER: JTB
DATE: 11/11/11
FILE: I-75



DRAFT

LEGEND

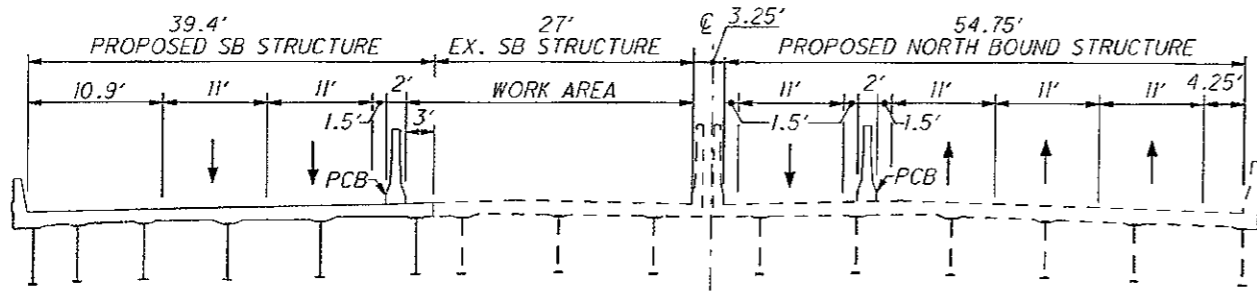
- RAMP TEMPORARILY CLOSED DURING PHASE I
- × RAMP TO BE PERMANENTLY REMOVED
- ▨ TEMPORARY PAVEMENT

\$USER \$DATE \$FILES \$TIMESTAMPS

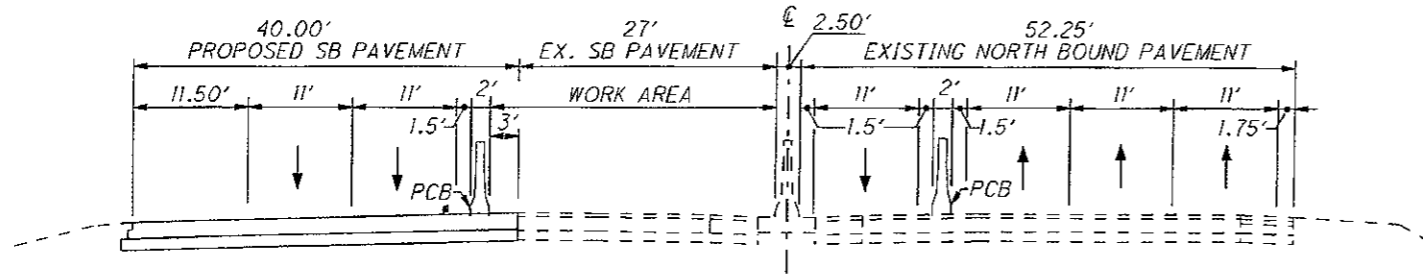
CALCULATED
 APP
 CHECKED
 JJC

I-75 MAINTENANCE OF TRAFFIC - CONTRA-FLOW PHASE 1

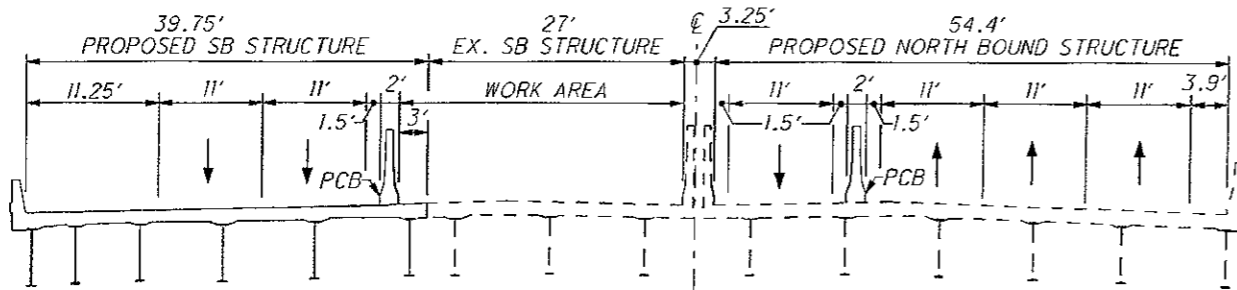
MOT-75-11.00



SECTION 6-6
STA. 247+50

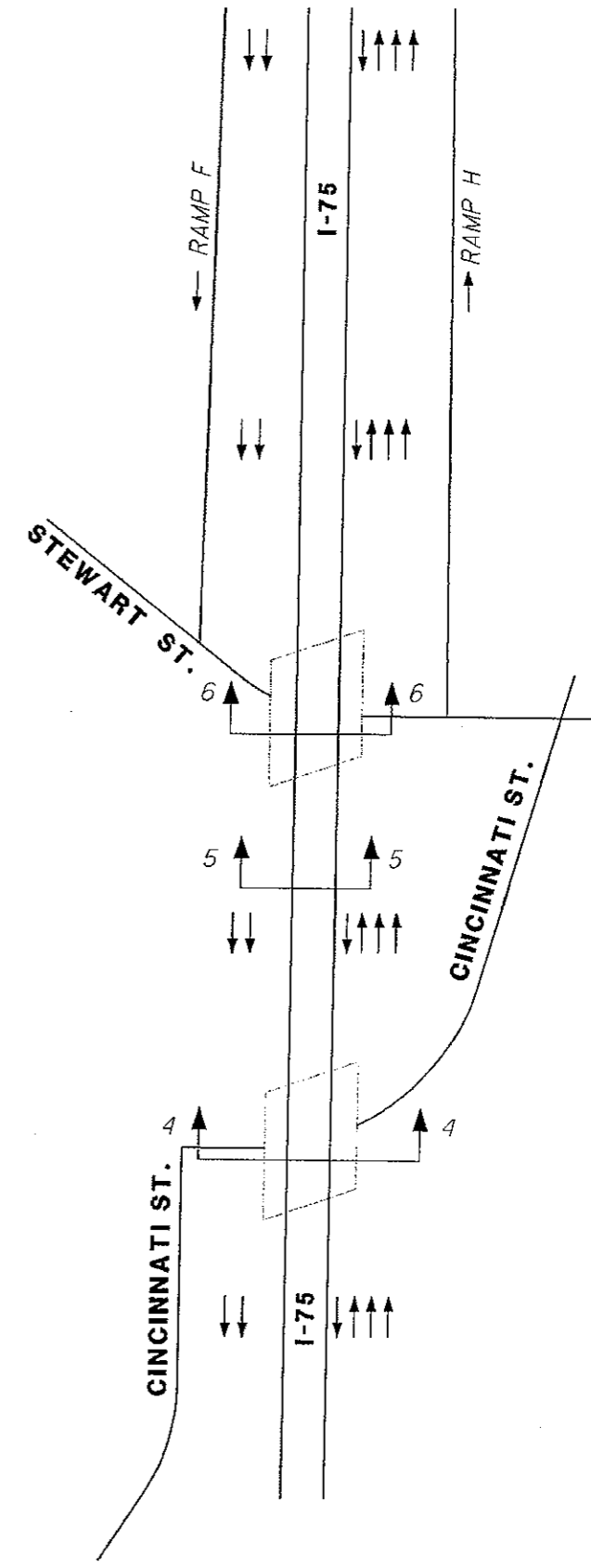


SECTION 5-5
STA. 243+50



SECTION 4-4
STA. 240+00

DRAFT



CALCULATED
AVP
CREATED
JUG

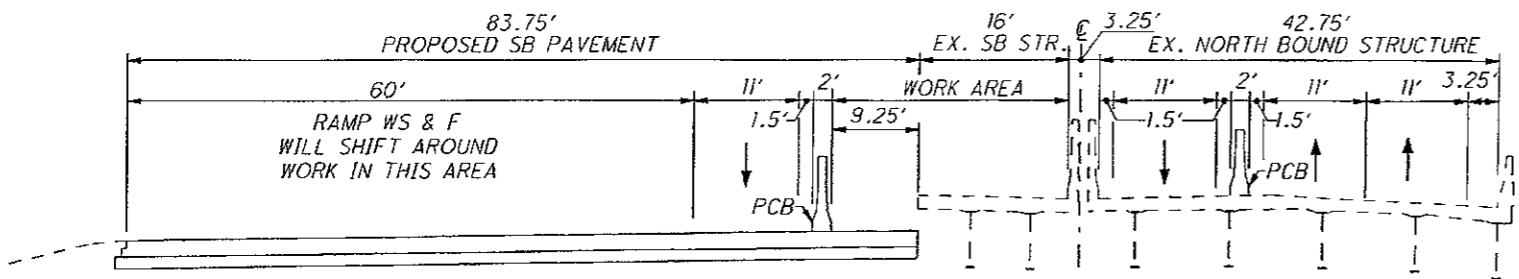
I-75 MAINTENANCE OF TRAFFIC - CONTRA-FLOW
PHASE 2

MOT-75-11.00

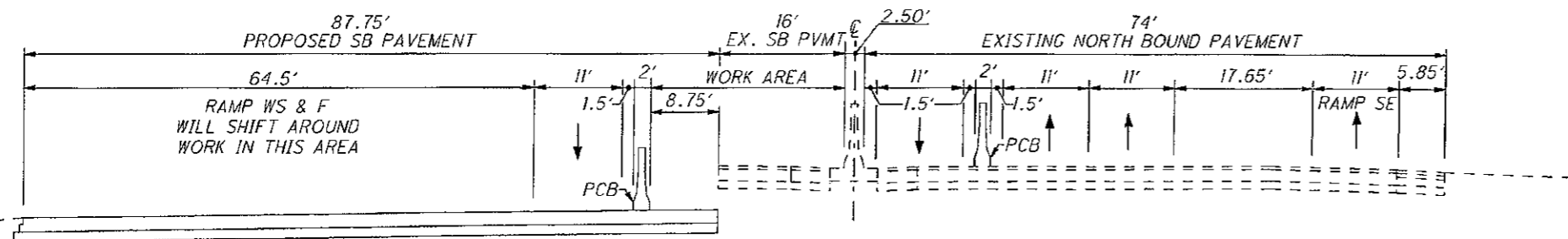
2

STAMPSTAMPS
DATES
FILES

NOTE: BEAM SPACING NOT TO SCALE

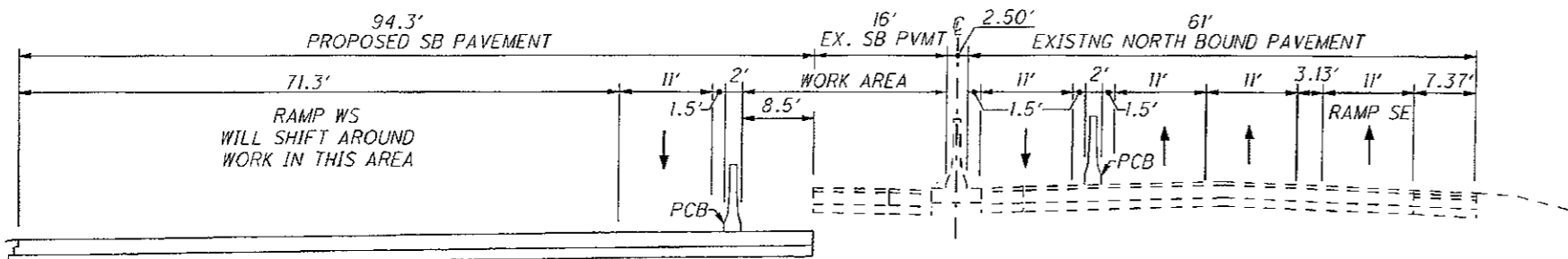


SECTION 12-12
STA. 262+50

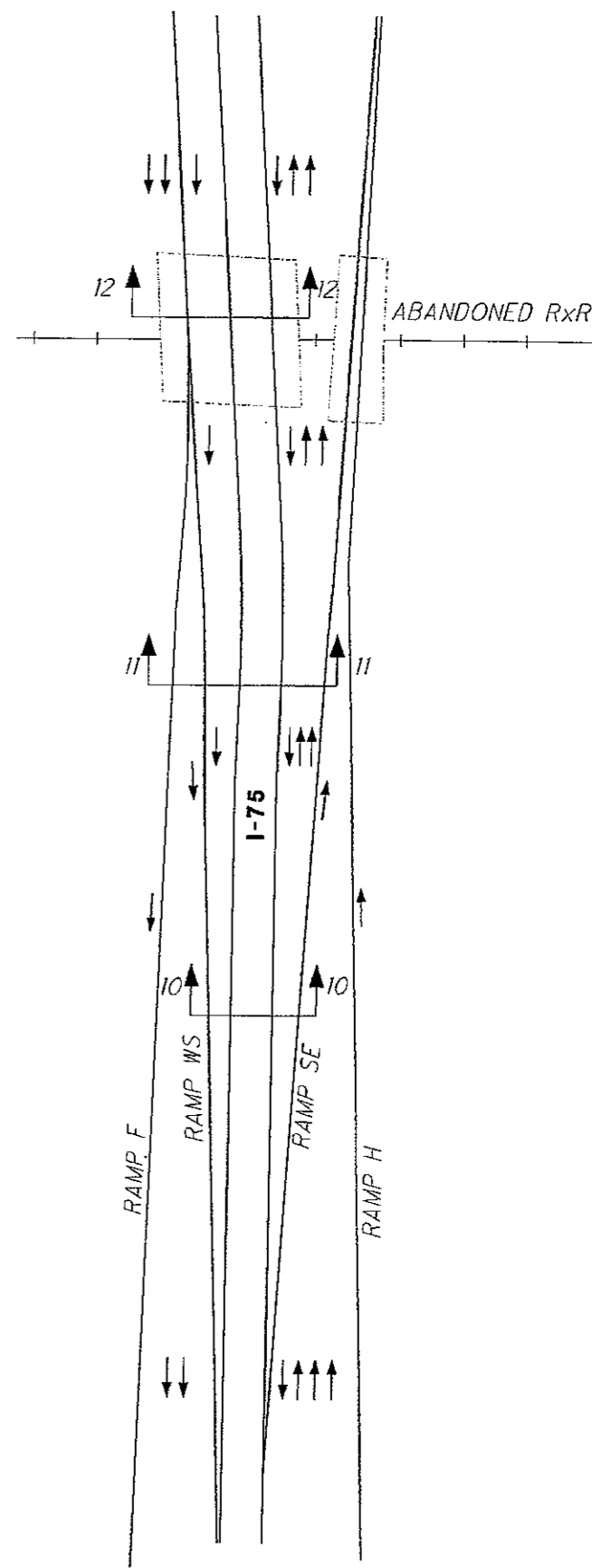


SECTION 11-11
STA. 259+00

DRAFT



SECTION 10-10
STA. 257+00



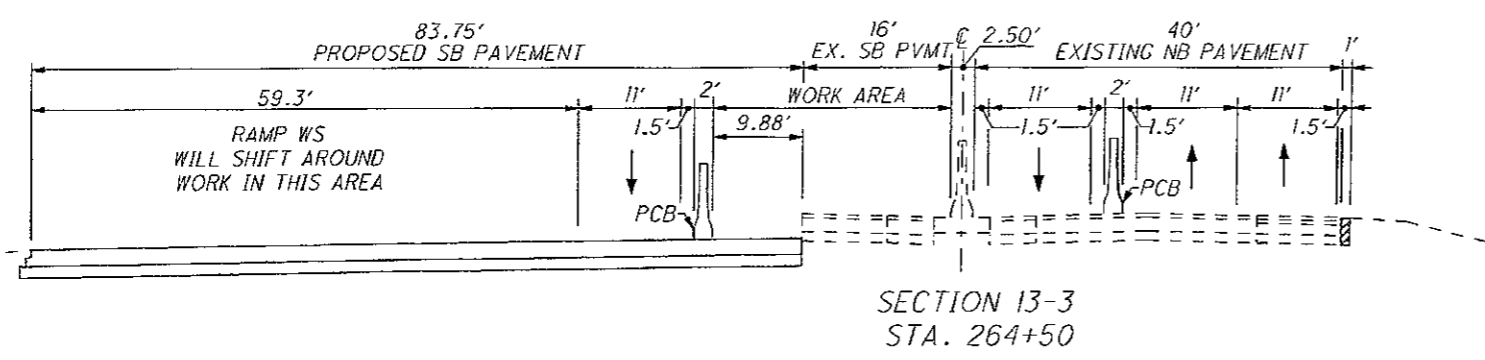
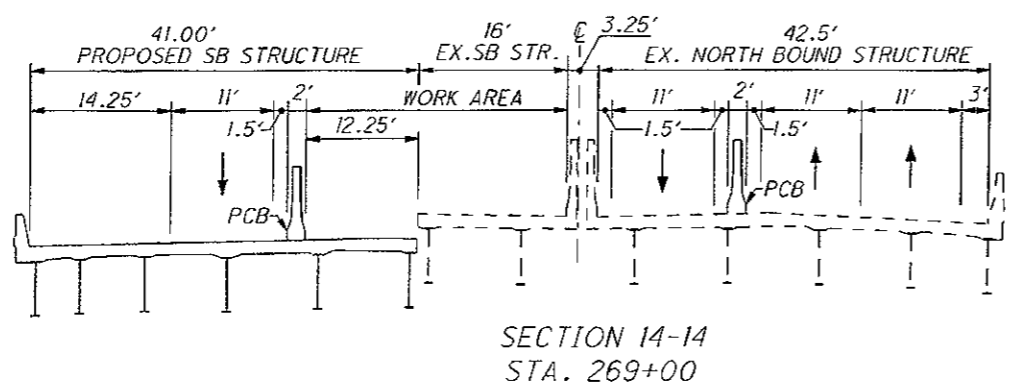
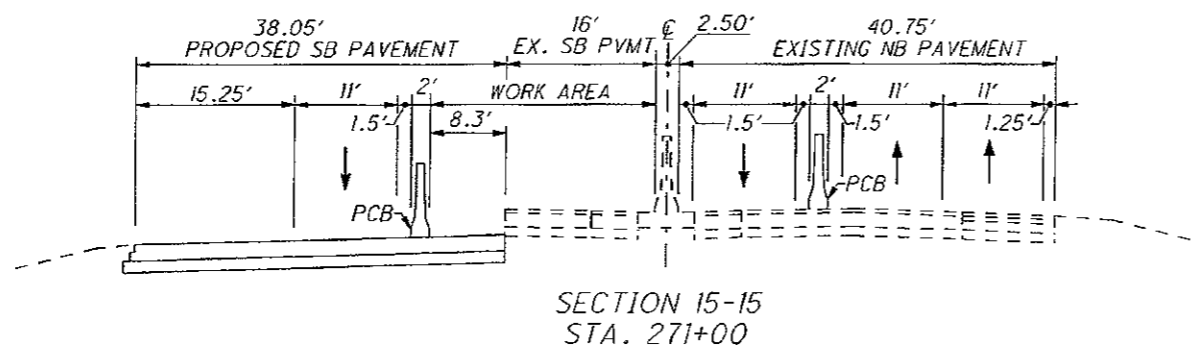
CHECKED	AVP
CREATED	JUG

**I-75 MAINTENANCE OF TRAFFIC - CONTRA-FLOW
PHASE 2**

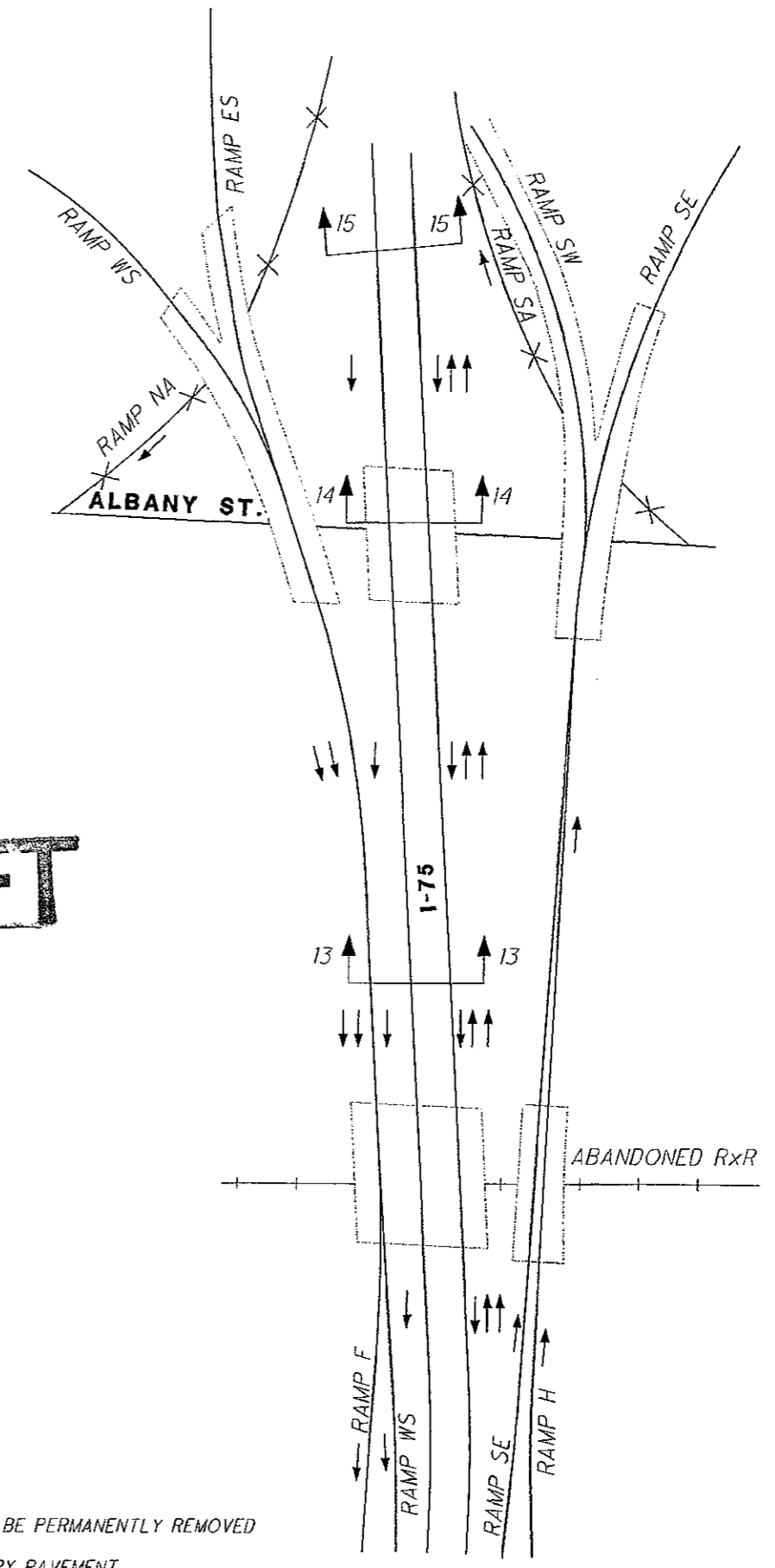
MOT-75-11.00

SUSER STIMESTAMPS
 CDATES
 SFILES

NOTE: BEAM SPACING NOT TO SCALE



DRAFT

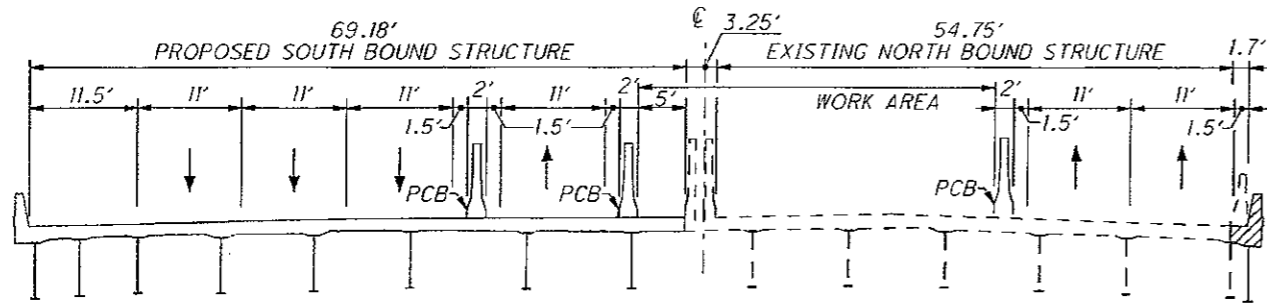


LEGEND

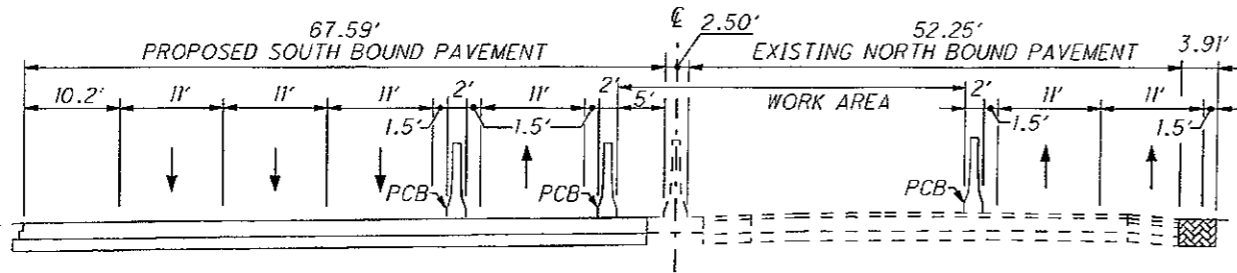
- X RAMP TO BE PERMANENTLY REMOVED
- [Hatched Box] TEMPORARY PAVEMENT

NOTE: BEAM SPACING NOT TO SCALE

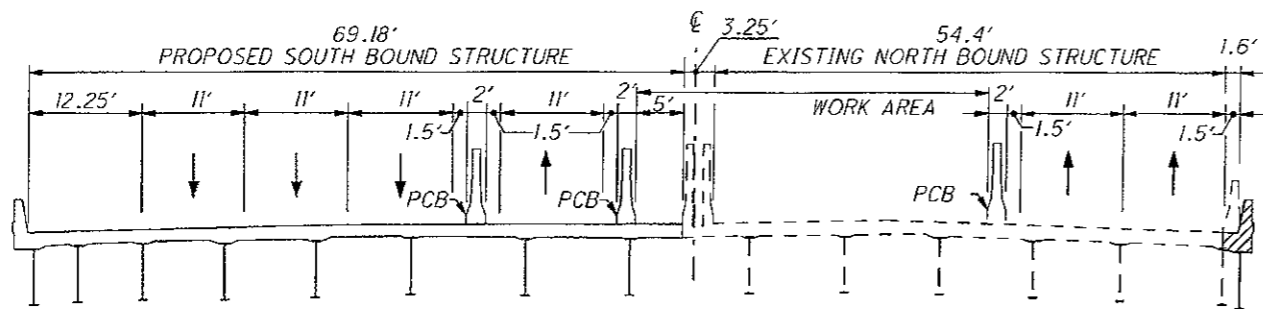
SUBER
 SDATES
 SFILEAS
 STIMESTAMPS



SECTION 6-6
STA. 247+50

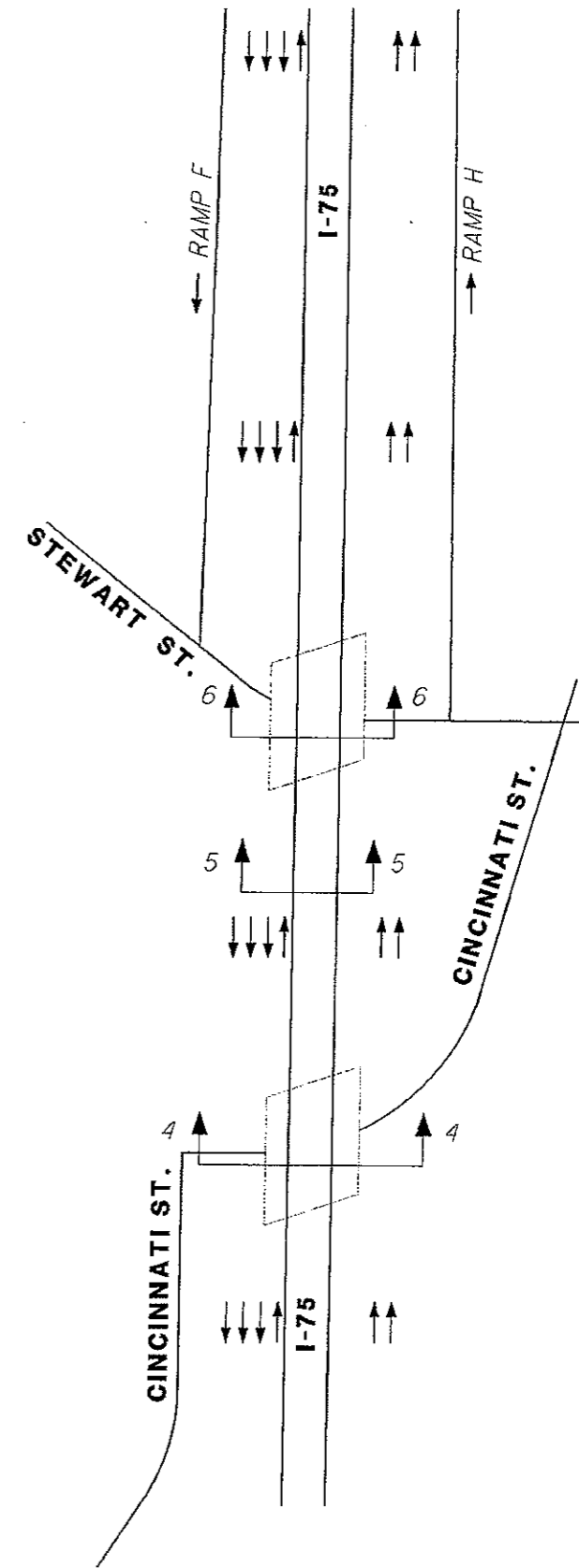


SECTION 5-5
STA. 243+50





SECTION 4-4
STA. 240+00

DRAFT



LEGEND

-  TEMPORARY DECK
-  TEMPORARY PAVEMENT

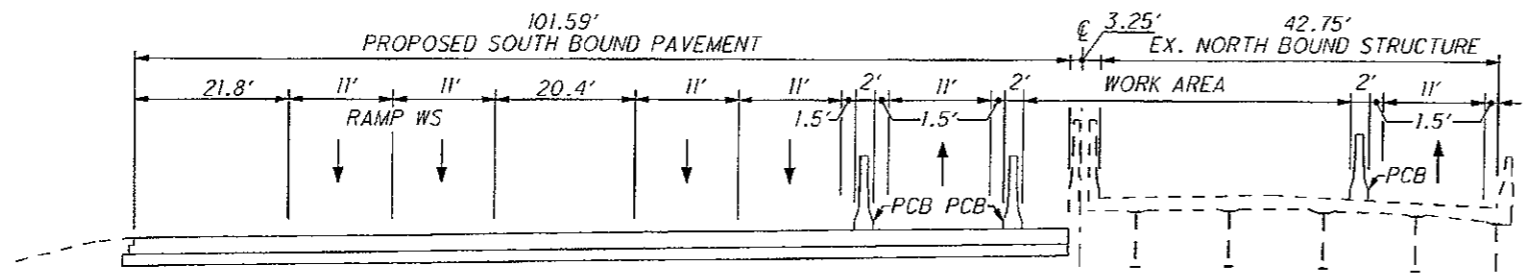
NOTE: BEAM SPACING NOT TO SCALE

USER: STINESTAMP
DATE: STINESTAMP
FILE: STINESTAMP

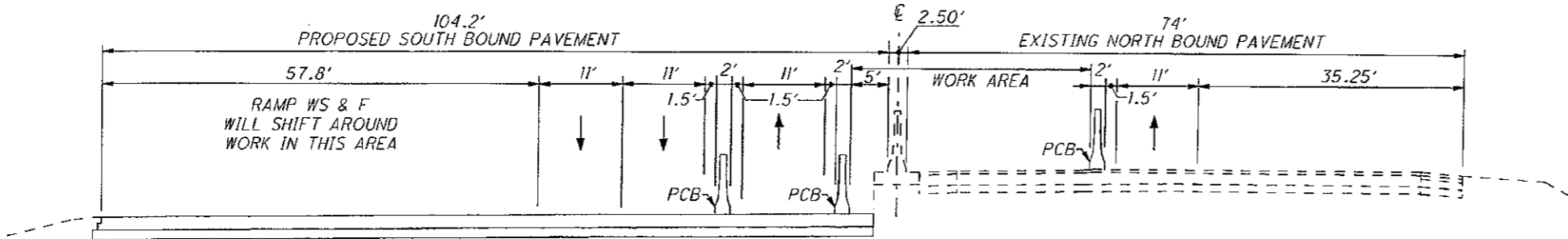
CALCULATED BY: AVP
CHECKED BY: JUC

I-75 MAINTENANCE OF TRAFFIC - CONTRA-FLOW
PHASE 3

MOT-75-11.00

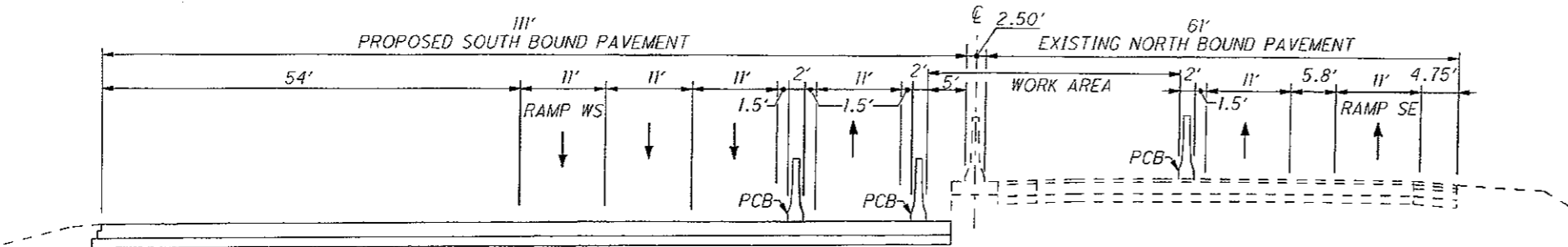


SECTION 12-12
STA. 262+50

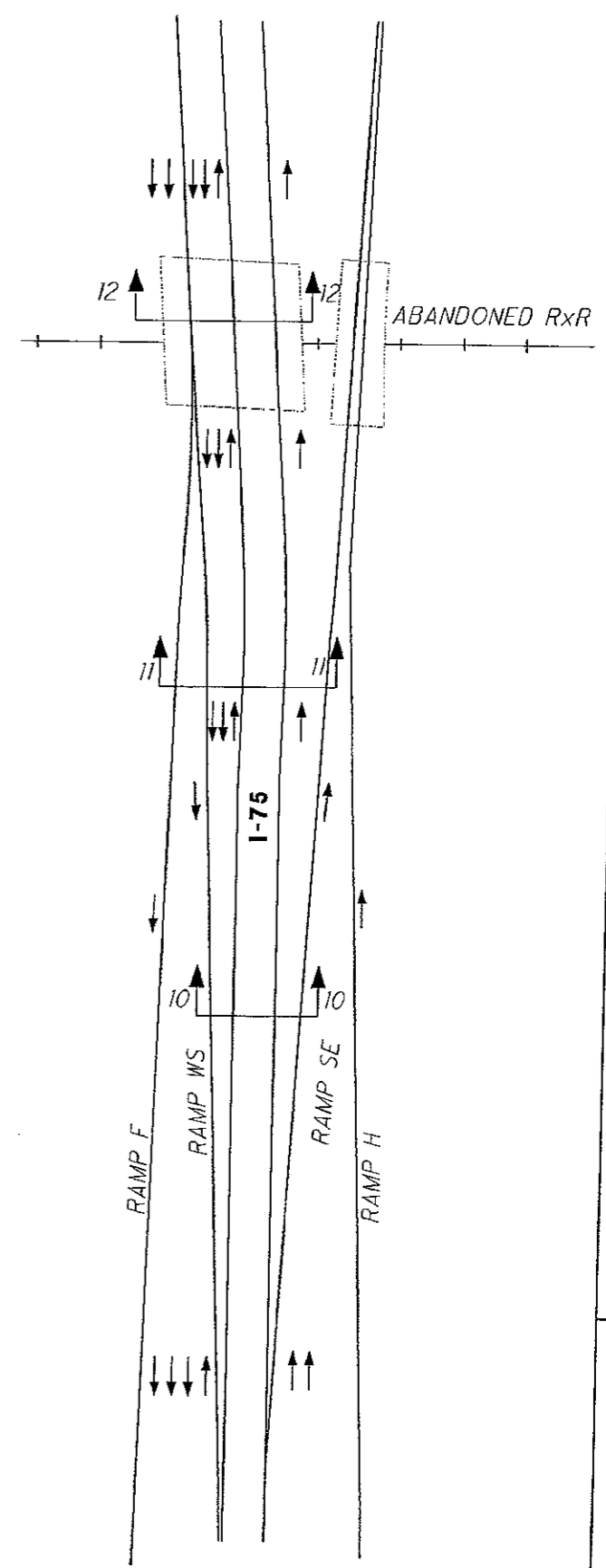


SECTION 11-11
STA. 259+00

DRAFT

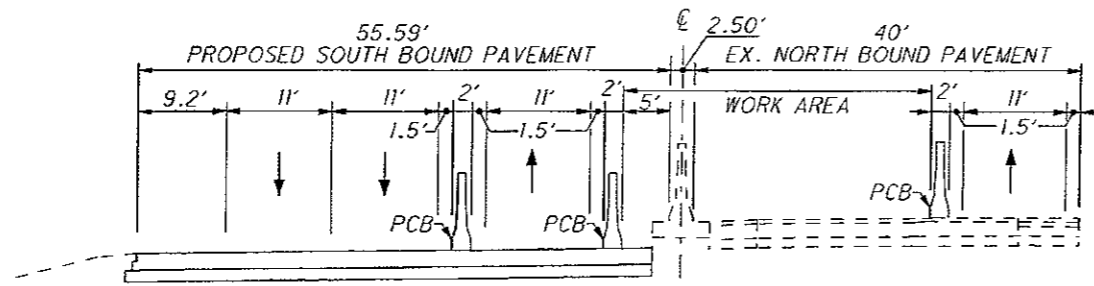


SECTION 10-10
STA. 257+00

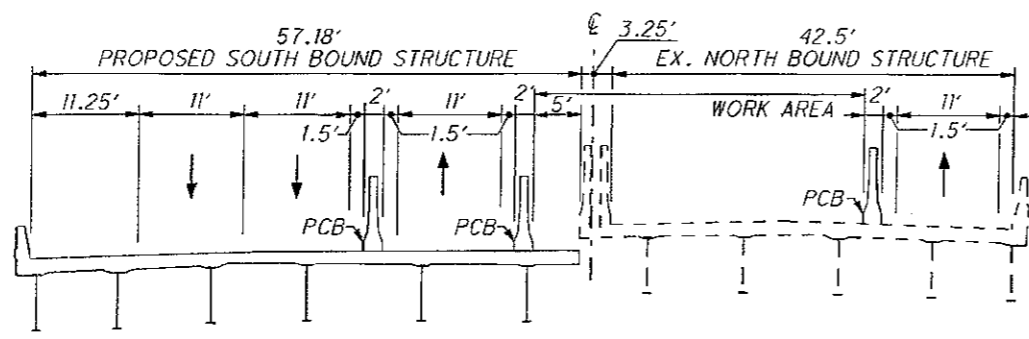


NOTE: BEAM SPACING NOT TO SCALE

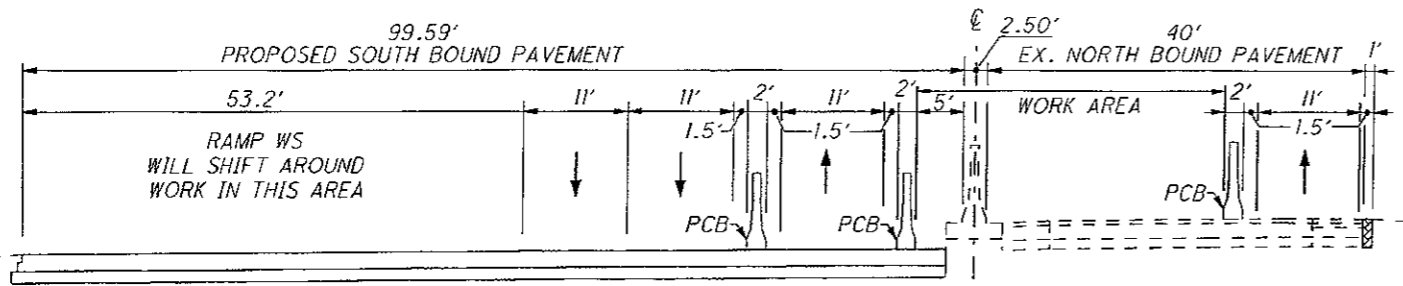
SUBER
 DATES
 FILES
 TIMESTAMP



SECTION 15-15
STA. 271+00

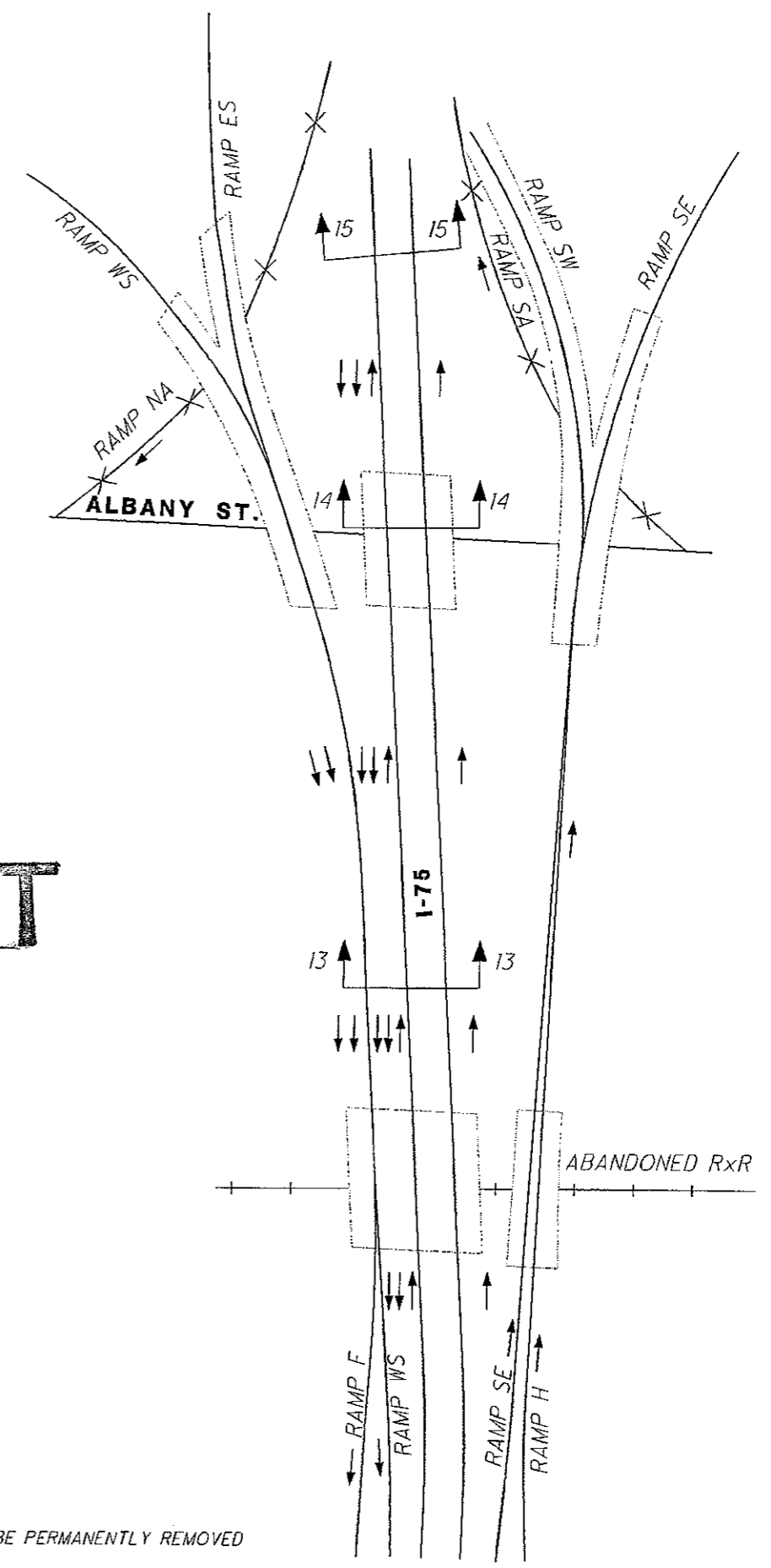


SECTION 14-14
STA. 269+00



SECTION 13-13
STA. 264+50

DRAFT

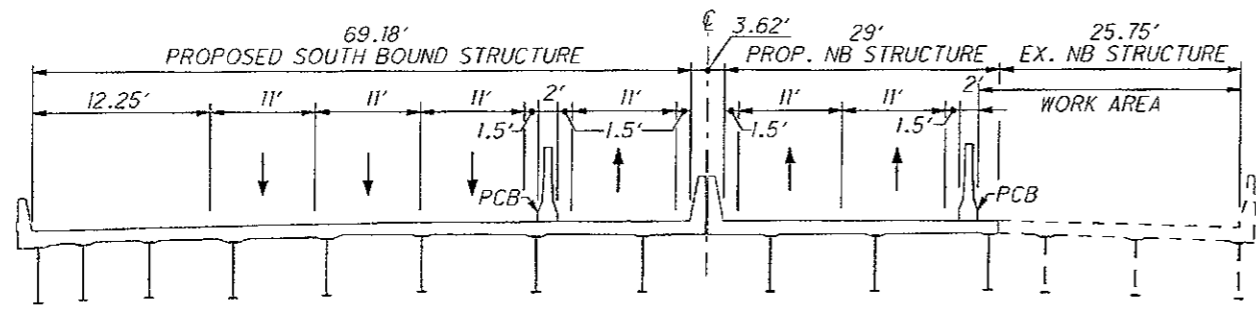


LEGEND

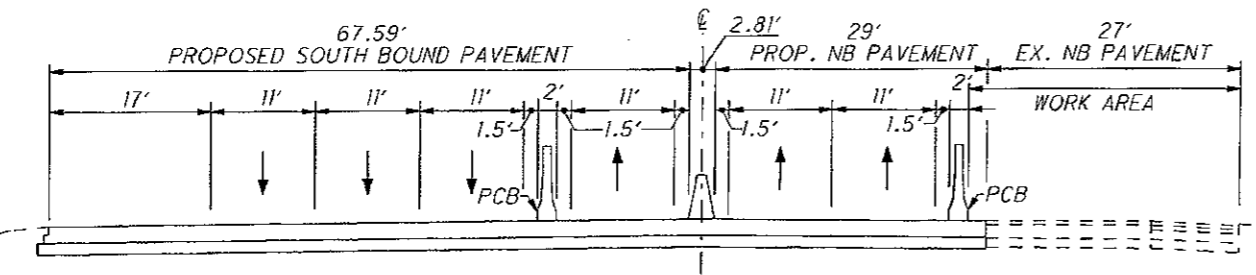
- ✕ RAMP TO BE PERMANENTLY REMOVED
- ▨ TEMPORARY PAVEMENT

4USER
3DATE
3FILE
TIMESTAMP

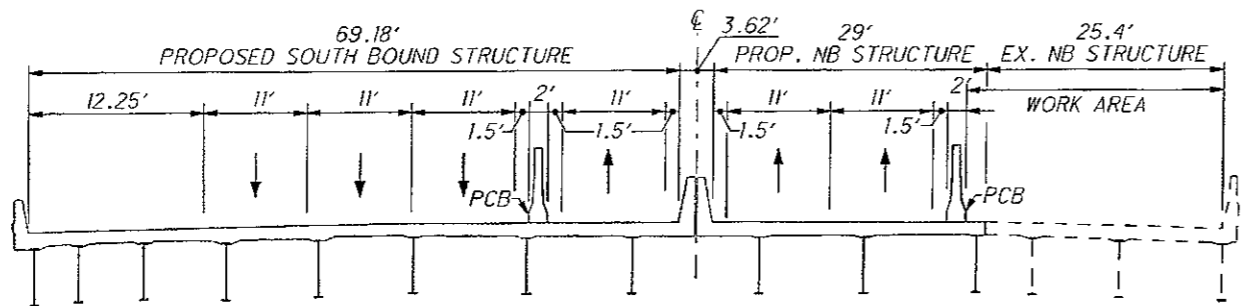
NOTE: BEAM SPACING NOT TO SCALE



SECTION 6-6
STA. 247+50

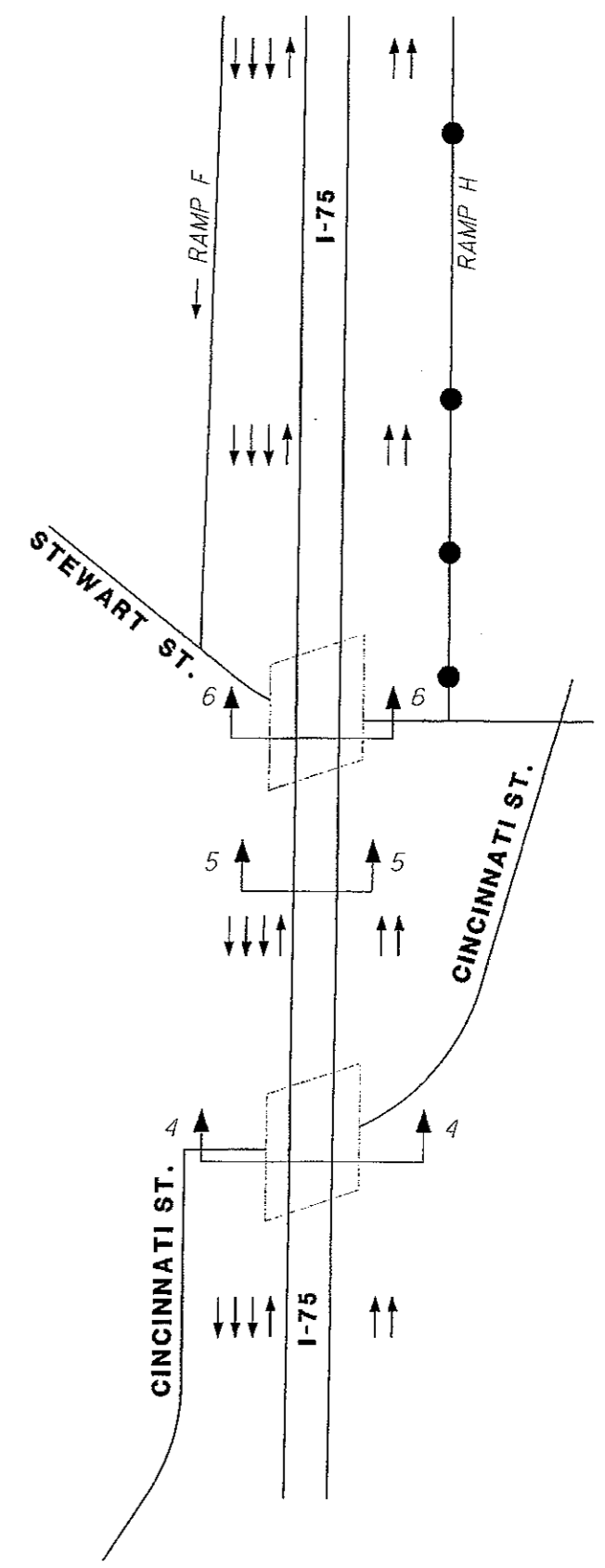


SECTION 5-5
STA. 243+50



SECTION 4-4
STA. 240+00

DRAFT



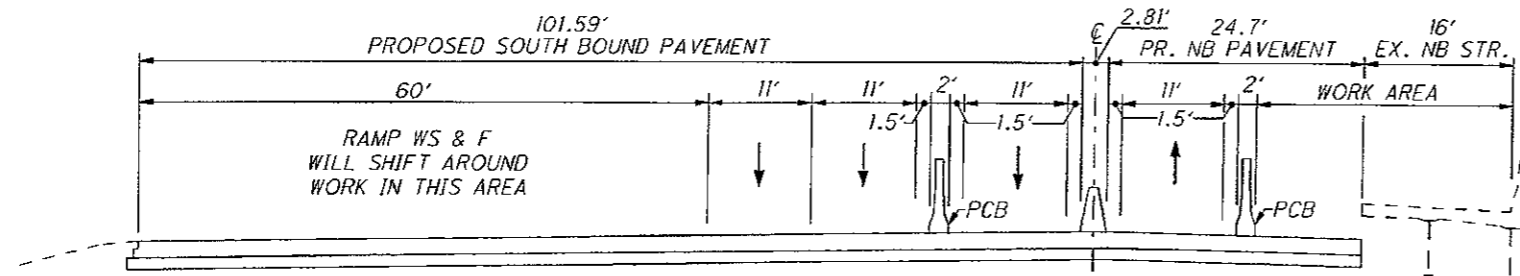
LEGEND

● RAMPs TEMPORARILY CLOSED DURING PHASE 4

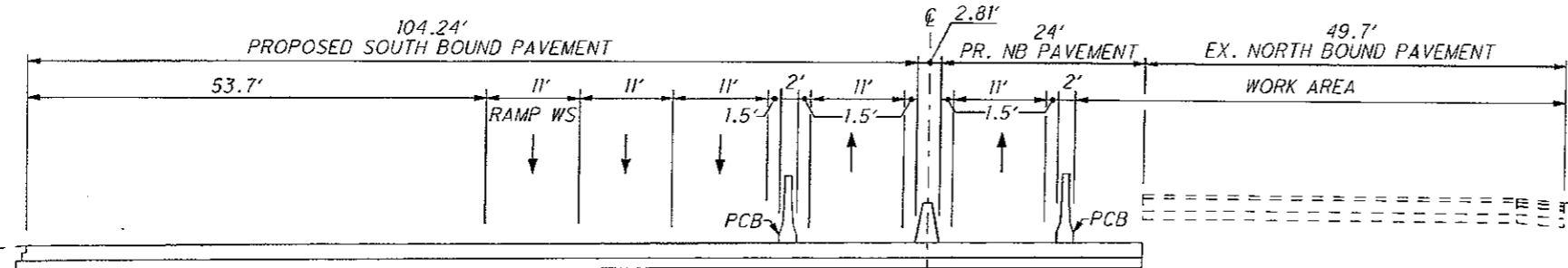
NOTE: BEAM SPACING NOT TO SCALE

USER: _____
DATE: _____
FILE: _____

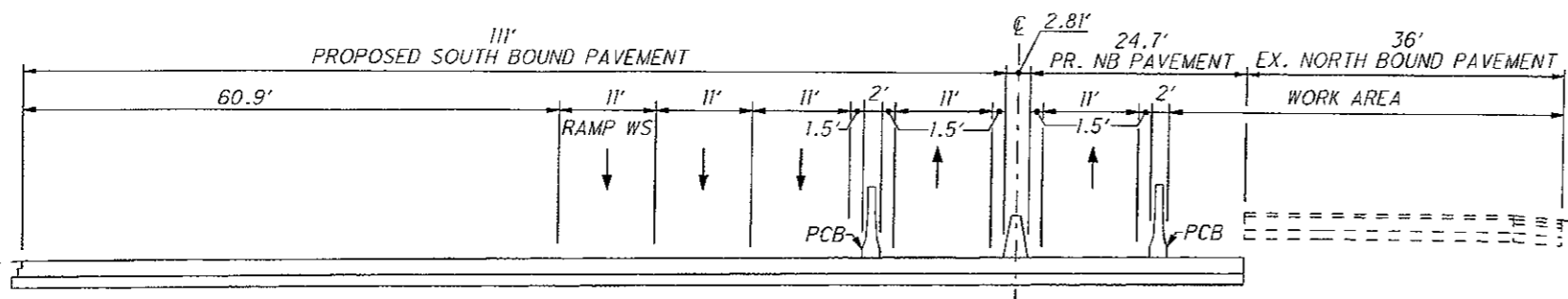
CALCULATED AVP	CHECKED JUG	I-75 MAINTENANCE OF TRAFFIC - CONTRA-FLOW PHASE 4	MOT-75-11.00	2



SECTION 12-12
STA. 262+50

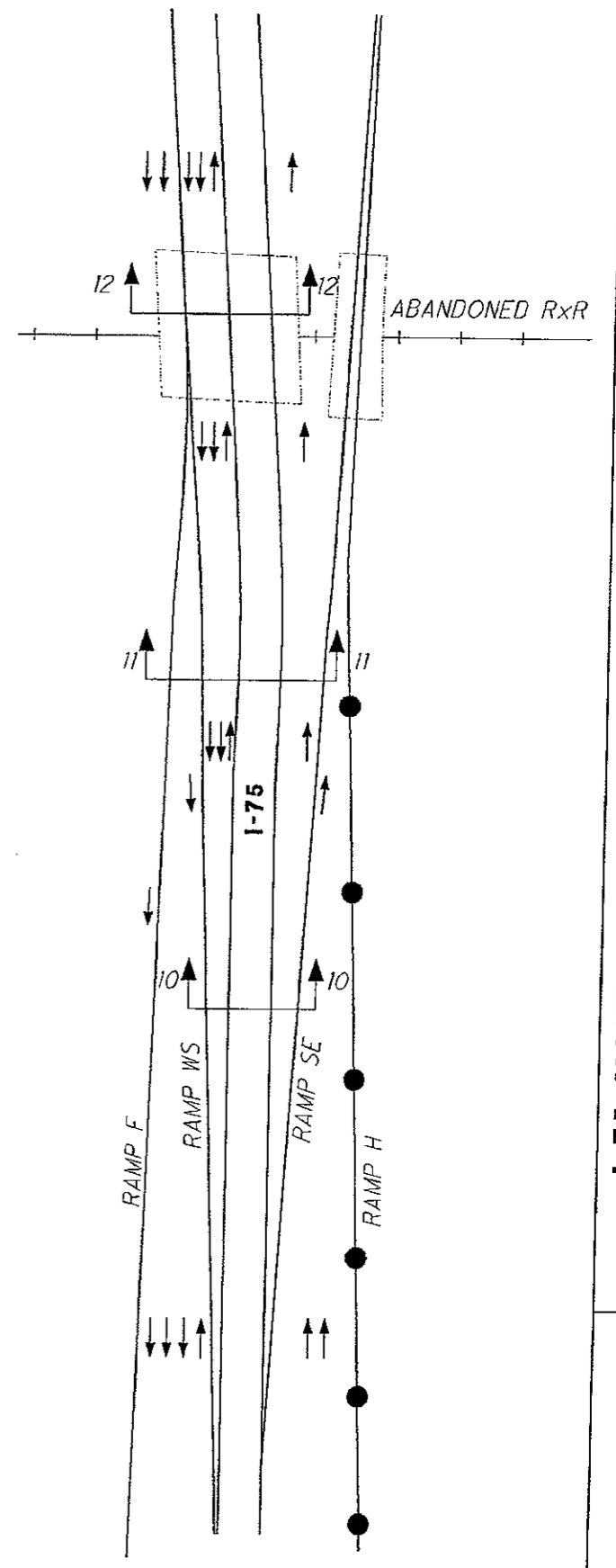


SECTION 11-11
STA. 259+00



SECTION 10-10
STA. 257+00

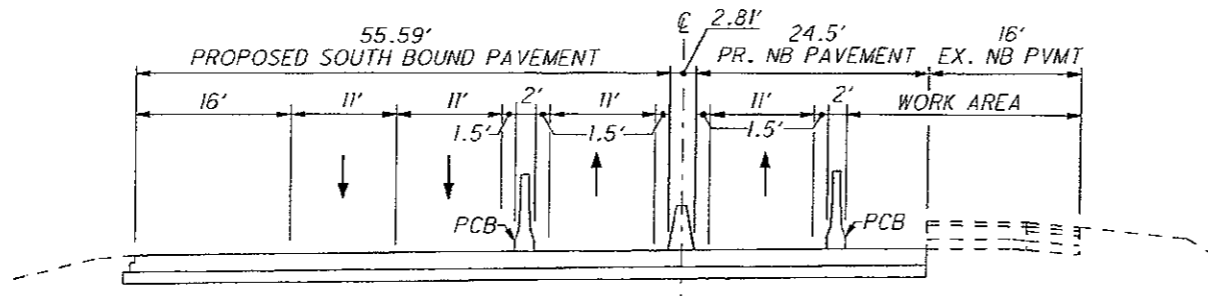
DRAFT



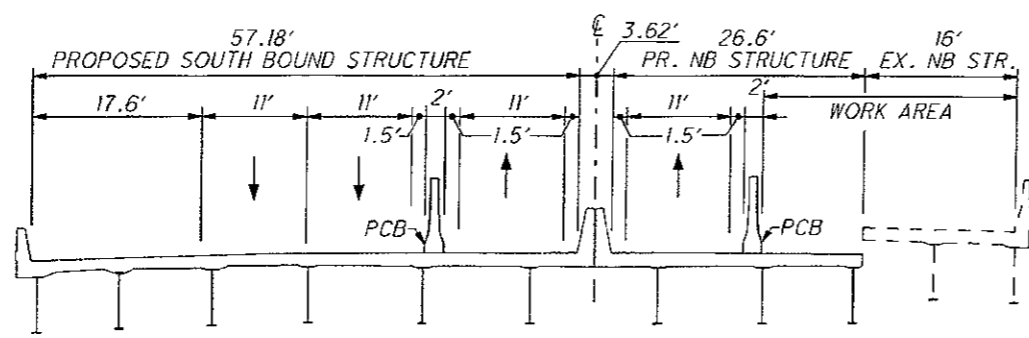
LEGEND

● RAMPs TEMPORARILY CLOSED DURING PHASE 4

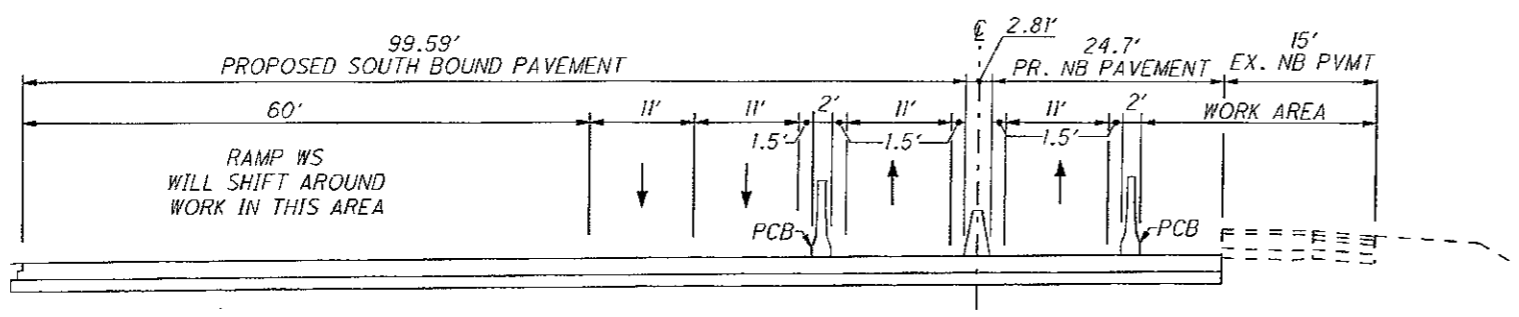
NUMBER OF STAMPS
 DATE
 FILE



SECTION 15-15
STA. 271+00

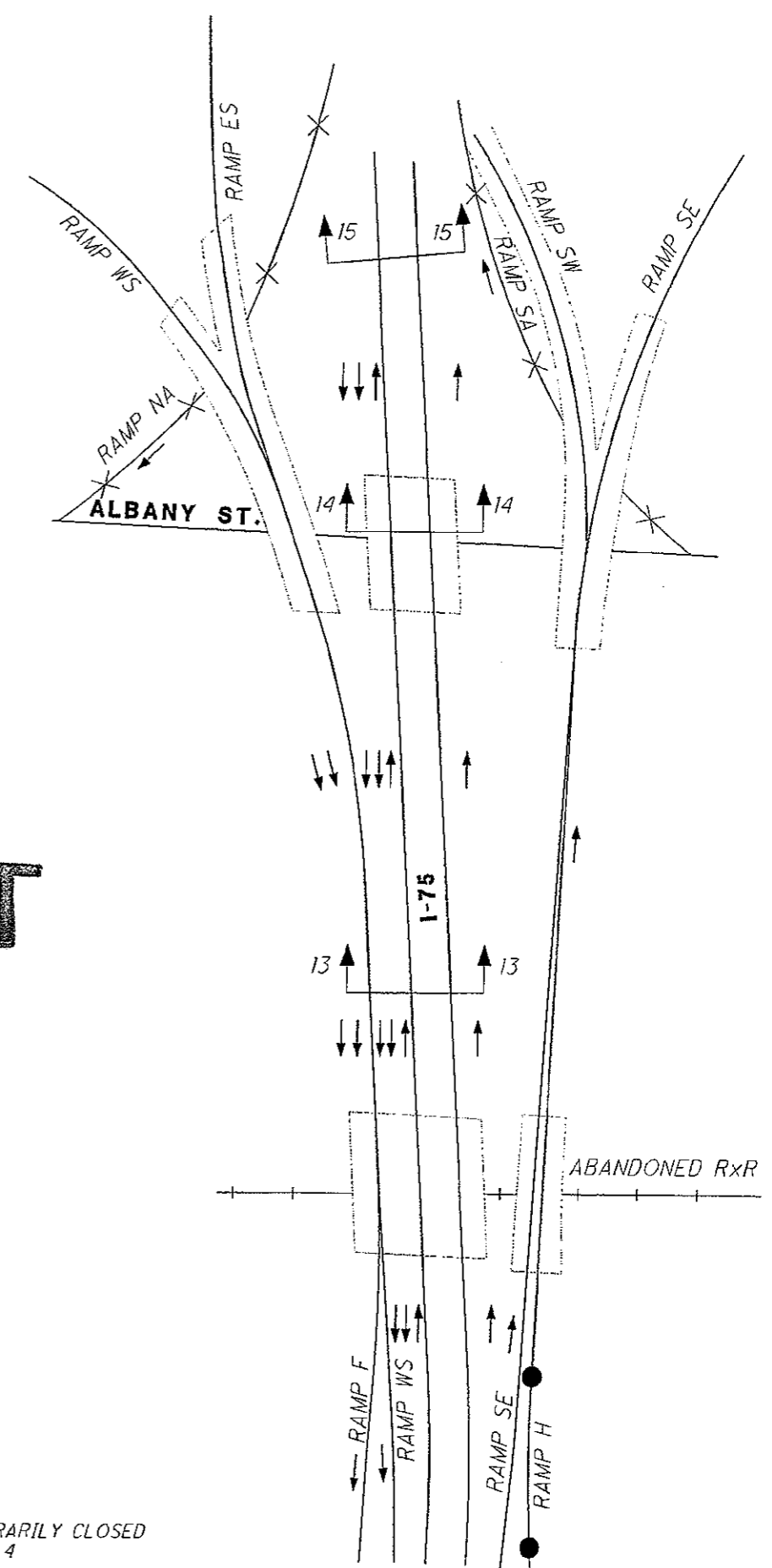


SECTION 14-14
STA. 269+00



SECTION 13-13
STA. 264+50

DRAFT



LEGEND

- RAMPS TEMPORARILY CLOSED DURING PHASE 4
- × RAMP TO BE PERMANENTLY REMOVED

I-75 MAINTENANCE OF TRAFFIC - CONTRA-FLOW PHASE 4

MOT-75-11.00

NOTE: BEAM SPACING NOT TO SCALE

USER: _____
 DATE: _____
 FILE: _____